



MASKING PRODUCTS

Specializing in the design
and manufacture of
great quality and cost
effective masking
solutions



Automotive



Electronics



Aerospace



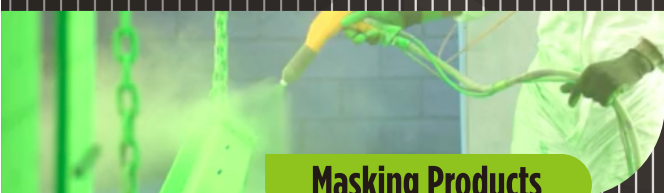
Hydraulics



HVAC



Metal Fabrication

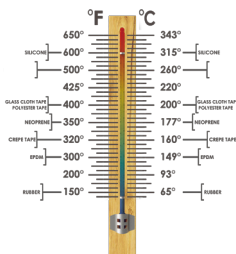
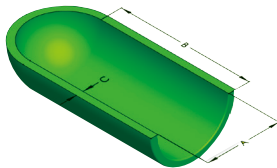
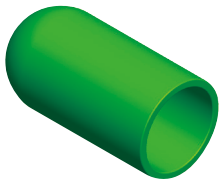
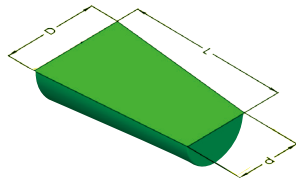
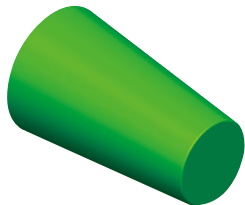


Masking Products

Pro Masking

Components

TABLE OF CONTENTS



MASKING CAPS

A SERIES	4-7
WCAP SERIES	8
FC SERIES	9
Q-A SERIES	10
Q-B SERIES	10
BSC SERIES	11

MASKING PLUGS

CONE SERIES	12
BEVEL SERIES	13
ABT SERIES	14-15
ABTP SERIES	16
HWTS SERIES	17
HWPTS SERIES	18
BHTP SERIES	19-20
THF SERIES	21
2X SERIES	22
PTWP SERIES	23
SP SERIES	24
WNPP SERIES	25
DUALFX SERIES	26
BSHT SERIES	27
MLP SERIES	28
FKCP SERIES	29
RST SERIES	30
CST SERIES	31
SM-KIT	32
MMS-MMT (STEEL EYEBOLT AND CAPS)	33

MASKING SILICONE TUBING

MS TUBE SERIES	34
STAR SERIES	35
S-FOAM SERIES	36
NET SERIES	37

MASKING TAPES

G-TAPE SERIES	38
B-TAPE SERIES	39
A-TAPE SERIES	40
W-TAPE SERIES	41
C-TAPE SERIES	42
D-TAPE (MASKING DISC) SERIES	43

MATERIAL APPLICATION

MATERIAL APPLICATION	44-45
CUSTOM COLOURS	46
QUOTATIONS & PRICE	47
PAYMENT	48
DELIVERIES	49
PRODUCT QUALITY	50
SPECIFICATIONS & SAMPLES & REFERENCE	51
MEET THE PRO-MASKING COMPONENTS TEAM	52-53

A SERIES

MASKING CAPS

SILICONE CAPS A SERIES

Utilized as either a cap or plug to conceal internal openings or projecting screws, this collection offers a diverse range of diameters and lengths suitable for any necessary application

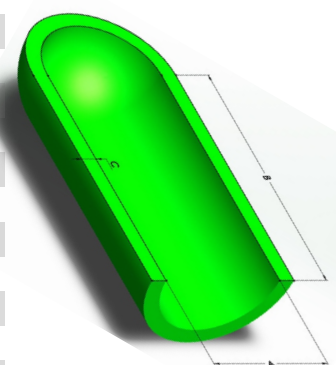
Temperature resistant up to 315 °C (600°F)

Reusable and chemical resistant

Materials:
Silicone / EPDM / Neoprene Rubber

Color: See chart for colour coding

PART No.	COLOR	DIMENSIONS								PACK QUANTITY/ BAG
		ID		OD		L		WALL		
		INCHES	MM	INCHES	MM	INCHES	MM	INCHES	MM	
A-20-500	RED	0.020	0.51	0.140	3.56	0.500	12.70	0.060	1.52	1000
A-62-500	YELLOW	0.062	1.57	0.152	3.86	0.500	12.70	0.045	1.15	1000
A-62-750	YELLOW	0.062	1.57	0.150	3.81	0.750	19.05	0.044	1.12	1000
A-70-1000	GREEN	0.070	1.78	0.161	4.08	1.000	25.40	0.045	1.15	1000
A-80-500	CLEAR	0.080	2.03	0.180	4.57	0.500	12.70	0.050	1.27	1000
A-80-750	ORANGE	0.080	2.03	0.200	5.08	0.750	19.05	0.060	1.52	1000
A-93-500	PINK	0.093	2.36	0.195	4.95	0.500	12.70	0.051	1.30	1000
A-93-750	PINK	0.093	2.36	0.195	4.95	0.750	19.05	0.051	1.30	1000
A-93-1000	PINK	0.093	2.36	0.195	4.95	1.000	25.40	0.051	1.30	1000
A-100-500	GREEN	0.100	2.54	0.202	5.13	0.500	12.70	0.051	1.30	1000
A-100-750	GREEN	0.100	2.54	0.202	5.13	0.750	19.05	0.051	1.30	1000
A-100-1000	GREEN	0.100	2.54	0.202	5.13	1.000	25.40	0.051	1.30	1000
A-100-1500	GREEN	0.100	2.54	0.220	5.59	1.500	38.10	0.060	1.52	1000
A-109-500	YELLOW	0.109	2.77	0.229	5.82	0.500	12.70	0.060	1.52	1000
A-109-750	GREY	0.109	2.77	0.211	5.36	0.750	19.05	0.051	1.30	1000
A-109-1000	GREY	0.109	2.77	0.211	5.36	1.000	25.40	0.051	1.30	1000
A-125-500	BLUE	0.125	3.18	0.227	5.77	0.500	12.70	0.051	1.30	1000
A-125-750	BLACK	0.125	3.18	0.245	6.22	0.750	19.05	0.060	1.52	1000
A-125-1000	BLACK	0.125	3.18	0.227	5.77	1.000	25.40	0.051	1.30	1000
A-125-1500	CLEAR	0.125	3.18	0.245	6.22	1.500	38.10	0.060	1.52	1000
A-137-500	CLEAR	0.137	3.48	0.257	6.53	0.500	12.70	0.060	1.52	1000
A-137-1000	CLEAR	0.137	3.48	0.257	6.53	1.000	25.40	0.060	1.52	1000
A-140-1000	WHITE	0.140	3.56	0.260	6.60	1.000	25.40	0.060	1.52	1000
A-148-500	PINK	0.148	3.76	0.268	6.81	0.500	12.70	0.060	1.52	1000
A-148-750	PINK	0.148	3.76	0.268	6.81	0.750	19.05	0.060	1.52	1000
A-148-1000	PINK	0.148	3.76	0.268	6.81	1.000	25.40	0.060	1.52	1000
A-148-1500	PINK	0.148	3.76	0.268	6.81	1.500	38.10	0.060	1.52	1000
A-156-500	GREEN	0.156	3.96	0.276	7.01	0.500	12.70	0.060	1.52	1000
A-156-1000	YELLOW	0.156	3.96	0.276	7.01	1.000	25.40	0.060	1.52	1000
A-156-1500	YELLOW	0.156	3.96	0.276	7.01	1.500	38.10	0.060	1.52	1000
A-165-1000	CLEAR	0.165	4.19	0.285	7.24	1.000	25.40	0.060	1.52	1000
A-165-1500	CLEAR	0.165	4.19	0.285	7.24	1.500	38.10	0.060	1.52	1000
A-165-2000	CLEAR	0.165	4.19	0.285	7.24	2.000	50.80	0.060	1.52	1000
A-172-500	GREY	0.172	4.37	0.292	7.42	0.500	12.70	0.060	1.52	1000
A-172-1000	BLUE	0.172	4.37	0.292	7.42	1.000	25.40	0.060	1.52	1000
A-172-1500	BLUE	0.172	4.37	0.292	7.42	1.500	38.10	0.060	1.52	1000
A-180-1000	BLACK	0.180	4.57	0.300	7.62	1.000	25.40	0.060	1.52	1000

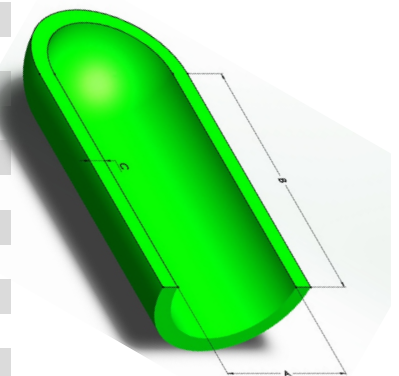


MASKING CAPS

A SERIES

SILICONE CAPS A SERIES

PART No.	COLOR	DIMENSIONS								PACK
		ID		OD		L		WALL		QUANTITY/ BAG
		INCHES	MM	INCHES	MM	INCHES	MM	INCHES	MM	
A-187-500	WHITE	0.187	4.75	0.307	7.80	0.500	12.70	0.060	1.52	1000
A-187-610	WHITE	0.187	4.75	0.307	7.80	0.610	15.49	0.060	1.52	1000
A-187-750	CLEAR	0.187	4.75	0.307	7.80	0.750	19.05	0.060	1.52	1000
A-187-1000	CLEAR	0.187	4.75	0.307	7.80	1.000	25.40	0.060	1.52	1000
A-187-1500	CLEAR	0.187	4.75	0.307	7.80	1.500	38.10	0.060	1.52	1000
A-197-500	BROWN	0.197	5.00	0.317	8.05	0.500	12.70	0.060	1.52	1000
A-197-1000	BROWN	0.197	5.00	0.317	8.05	1.000	25.40	0.060	1.52	1000
A-218-1000	GREY	0.218	5.54	0.338	8.59	1.000	25.40	0.060	1.52	1000
A-223-500	PINK	0.223	5.66	0.343	8.71	0.500	12.70	0.060	1.52	1000
A-223-750	BLUE	0.223	5.66	0.343	8.71	0.750	19.05	0.060	1.52	1000
A-223-1000	PINK	0.223	5.66	0.343	8.71	1.000	25.40	0.060	1.52	1000
A-223-1500	PINK	0.223	5.66	0.343	8.71	1.500	38.10	0.060	1.52	1000
A-234-500	GREEN	0.234	5.94	0.354	8.99	0.500	12.70	0.060	1.52	1000
A-234-787	GREEN	0.234	5.94	0.354	8.99	0.787	19.99	0.060	1.52	1000
A-234-1000	GREEN	0.234	5.94	0.354	8.99	1.000	25.40	0.060	1.52	1000
A-234-1500	YELLOW	0.234	5.94	0.354	8.99	1.500	38.10	0.060	1.52	1000
A-250-500	CLEAR	0.250	6.35	0.370	9.40	0.500	12.70	0.060	1.52	1000
A-250-1000	GREY	0.250	6.35	0.370	9.40	1.000	25.40	0.060	1.52	1000
A-250-1500	CLEAR	0.250	6.35	0.370	9.40	1.500	38.10	0.060	1.52	1000
A-281-500	CLEAR	0.281	7.14	0.401	10.19	0.500	12.70	0.060	1.52	500
A-281-1000	BLUE	0.281	7.14	0.401	10.19	1.000	25.40	0.060	1.52	500
A-281-2000	BLUE	0.281	7.14	0.401	10.19	2.000	50.80	0.060	1.52	500
A-295-500	BLACK	0.295	7.49	0.415	10.54	0.500	12.70	0.060	1.52	500
A-295-1000	BLACK	0.295	7.49	0.415	10.54	1.000	25.40	0.060	1.52	500
A-295-1500	BLACK	0.295	7.49	0.415	10.54	1.500	38.10	0.060	1.52	500
A-295-2350	CLEAR	0.295	7.49	0.415	10.54	2.350	59.69	0.060	1.52	500
A-312-500	BLACK	0.312	7.92	0.432	10.97	0.500	12.70	0.060	1.52	500
A-312-1000	WHITE	0.312	7.92	0.432	10.97	1.000	25.40	0.060	1.52	500
A-312-1500	CLEAR	0.312	7.92	0.432	10.97	1.500	38.10	0.060	1.52	500
A-312-2000	CLEAR	0.312	7.92	0.432	10.97	2.000	50.80	0.060	1.52	500
A-340-500	CLEAR	0.340	8.64	0.460	11.68	0.500	12.70	0.060	1.52	500
A-340-1000	PURPLE	0.340	8.64	0.460	11.68	1.000	25.40	0.060	1.52	500
A-340-1500	CLEAR	0.340	8.64	0.460	11.68	1.500	38.10	0.060	1.52	500
A-340-2000	CLEAR	0.340	8.64	0.460	11.68	2.000	50.80	0.060	1.52	500
A-355-1000	CLEAR	0.355	9.02	0.475	12.07	1.000	25.40	0.060	1.52	500
A-355-1500	GREEN	0.355	9.02	0.475	12.07	1.500	38.10	0.060	1.52	500
A-375-500	CLEAR	0.375	9.53	0.495	12.57	0.500	12.70	0.060	1.52	500
A-375-1000	YELLOW	0.375	9.53	0.495	12.57	1.000	25.40	0.060	1.52	500
A-375-1500	GREY	0.375	9.53	0.495	12.57	1.500	38.10	0.060	1.52	500
A-375-1969	CLEAR	0.375	9.53	0.495	12.57	1.969	50.01	0.060	1.52	250
A-406-1000	BLUE	0.406	10.31	0.526	13.36	1.000	25.40	0.060	1.52	250
A-406-1500	CLEAR	0.406	10.31	0.526	13.36	1.500	38.10	0.060	1.52	250
A-437-750	CLEAR	0.437	11.10	0.557	14.15	0.750	19.05	0.060	1.52	250

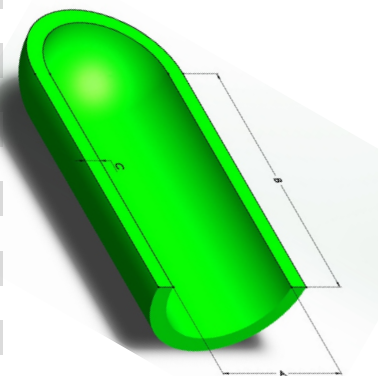


A SERIES

MASKING CAPS

SILICONE CAPS A SERIES

PART No.	COLOR	DIMENSIONS								PACK
		ID		OD		L		WALL		QUANTITY/ BAG
		INCHES	MM	INCHES	MM	INCHES	MM	INCHES	MM	
A-437-1000	BLACK	0.437	11.10	0.557	14.15	1.000	25.40	0.060	1.52	250
A-437-2000	CLEAR	0.437	11.10	0.557	14.15	2.000	50.80	0.060	1.52	250
A-456-500	CLEAR	0.456	11.58	0.576	14.63	0.500	12.70	0.060	1.52	250
A-456-1000	CLEAR	0.456	11.58	0.576	14.63	1.000	25.40	0.060	1.52	250
A-456-1500	CLEAR	0.456	11.58	0.576	14.63	1.500	38.10	0.060	1.52	250
A-456-1969	CLEAR	0.456	11.58	0.576	14.63	1.969	50.01	0.060	1.52	250
A-480-1000	WHITE	0.480	12.19	0.600	15.24	1.000	25.40	0.060	1.52	250
A-480-1500	PINK	0.480	12.19	0.600	15.24	1.500	38.10	0.060	1.52	250
A-500-1500	GREEN	0.500	12.70	0.620	15.75	1.500	38.10	0.060	1.52	250
A-500-3000	CLEAR	0.500	12.70	0.620	15.75	3.000	76.20	0.060	1.52	250
A-500-4000	CLEAR	0.500	12.70	0.620	15.75	4.000	101.60	0.060	1.52	250
A-535-1000	CLEAR	0.535	13.59	0.655	16.64	1.000	25.40	0.060	1.52	250
A-535-1500	BLUE	0.535	13.59	0.655	16.64	1.500	38.10	0.060	1.52	250
A-535-3000	BLUE	0.535	13.59	0.655	16.64	3.000	76.20	0.060	1.52	250
A-562-1100	CLEAR	0.562	14.27	0.682	17.32	1.100	27.94	0.060	1.52	250
A-562-1500	WHITE	0.562	14.27	0.682	17.32	1.500	38.10	0.060	1.52	250
A-600-1500	CLEAR	0.600	15.24	0.720	18.29	1.500	38.10	0.060	1.52	250
A-625-1125	CLEAR	0.625	15.88	0.745	18.92	1.125	28.58	0.060	1.52	250
A-625-1500	CLEAR	0.625	15.88	0.745	18.92	1.500	38.10	0.060	1.52	250
A-625-2000	CLEAR	0.625	15.88	0.745	18.92	2.000	50.80	0.060	1.52	250
A-625-2500	CLEAR	0.625	15.88	0.745	18.92	2.500	63.50	0.060	1.52	250
A-687-625	CLEAR	0.687	17.45	0.807	20.50	0.625	15.88	0.060	1.52	250
A-687-1000	CLEAR	0.687	17.45	0.807	20.50	1.000	25.40	0.060	1.52	100
A-687-1500	CLEAR	0.687	17.45	0.807	20.50	1.500	38.10	0.060	1.52	100
A-687-2500	CLEAR	0.687	17.45	0.807	20.50	2.500	63.50	0.060	1.52	100
A-687-4500	CLEAR	0.687	17.45	0.807	20.50	4.500	114.30	0.060	1.52	100
A-730-1500	CLEAR	0.730	18.54	0.850	21.59	1.500	38.10	0.060	1.52	100
A-730-4325	CLEAR	0.730	18.54	0.850	21.59	4.325	109.86	0.060	1.52	100
A-750-1500	YELLOW	0.750	19.05	0.870	22.10	1.500	38.10	0.060	1.52	100
A-750-2000	CLEAR	0.750	19.05	0.870	22.10	2.000	50.80	0.060	1.52	100
A-750-3500	CLEAR	0.750	19.05	0.870	22.10	3.500	88.90	0.060	1.52	100
A-750-4300	CLEAR	0.750	19.05	0.870	22.10	4.300	109.22	0.060	1.52	50
A-780-1500	CLEAR	0.780	19.81	0.900	22.86	1.500	38.10	0.060	1.52	100
A-812-1000	CLEAR	0.812	20.62	0.932	23.67	1.000	25.40	0.060	1.52	100
A-812-1500	CLEAR	0.812	20.62	0.932	23.67	1.500	38.10	0.060	1.52	100
A-845-2844	CLEAR	0.845	21.46	0.965	24.51	2.844	72.24	0.060	1.52	100
A-875-1000	CLEAR	0.875	22.23	0.995	25.27	1.000	25.40	0.060	1.52	100
A-875-1500	CLEAR	0.875	22.23	0.995	25.27	1.500	38.10	0.060	1.52	100
A-937-1000	CLEAR	0.937	23.80	1.057	26.85	1.000	25.40	0.060	1.52	100
A-937-1500	CLEAR	0.937	23.80	1.057	26.85	1.500	38.10	0.060	1.52	100
A-970-1500	CLEAR	0.970	24.64	1.090	27.69	1.500	38.10	0.060	1.52	100
A-970-4000	CLEAR	0.970	24.64	1.090	27.69	4.000	101.60	0.060	1.52	100
A-1000-820	CLEAR	1.000	25.40	1.120	28.45	0.820	20.83	0.060	1.52	100

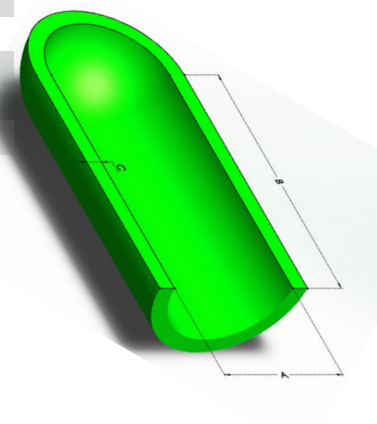


MASKING CAPS

A SERIES

SILICONE CAPS A SERIES

PART No.	COLOR	DIMENSIONS								PACK QUANTITY/ BAG
		ID		OD		L		WALL		
		INCHES	MM	INCHES	MM	INCHES	MM	INCHES	MM	
A-1000-1500	CLEAR	1.000	25.40	1.120	28.45	1.500	38.10	0.060	1.52	100
A-1000-2000	CLEAR	1.000	25.40	1.120	28.45	2.000	50.80	0.060	1.52	100
A-1062-1000	CLEAR	1.062	26.97	1.182	30.02	1.000	25.40	0.060	1.52	100
A-1062-1500	GREY	1.062	26.97	1.182	30.02	1.500	38.10	0.060	1.52	100
A-1062-2000	CLEAR	1.062	26.97	1.182	30.02	2.000	50.80	0.060	1.52	100
A-1062-3414	CLEAR	1.062	26.97	1.182	30.02	3.414	86.72	0.060	1.52	100
A-1083-3000	CLEAR	1.083	27.51	1.203	30.56	3.000	76.20	0.060	1.52	100
A-1125-1500	CLEAR	1.125	28.58	1.245	31.62	1.500	38.10	0.060	1.52	100
A-1187-1500	CLEAR	1.187	30.15	1.307	33.20	1.500	38.10	0.060	1.52	100
A-1250-1125	CLEAR	1.250	31.75	1.370	34.80	1.125	28.58	0.060	1.52	100
A-1250-1500	CLEAR	1.250	31.75	1.370	34.80	1.500	38.10	0.060	1.52	100
A-1380-1000	CLEAR	1.380	35.05	1.500	38.10	1.000	25.40	0.060	1.52	50
A-1380-1500	CLEAR	1.380	35.05	1.500	38.10	1.500	38.10	0.060	1.52	50
A-1500-1000	CLEAR	1.500	38.10	1.620	41.15	1.000	25.40	0.060	1.52	50
A-1500-1500	CLEAR	1.500	38.10	1.620	41.15	1.500	38.10	0.060	1.52	50
A-1625-2000	CLEAR	1.625	41.28	1.745	44.32	2.000	50.80	0.060	1.52	50
A-1750-2000	CLEAR	1.750	44.45	1.870	47.50	2.000	50.80	0.060	1.52	50
A-1875-2000	CLEAR	1.875	47.63	1.995	50.67	2.000	50.80	0.060	1.52	50
A-2000-2000	CLEAR	2.000	50.80	2.120	53.85	2.000	50.80	0.060	1.52	25



WASHER CAPS

WCAP SERIES

The washer rim is a grounding area for studs, ensuring effective electrical contact. Its flexibility allows it to conform to irregularly shaped parts. It exhibits excellent temperature resistance, withstanding temperatures of up to 315°C / 600°F, and is designed for long-lasting, reusable use.

Material: Silicone

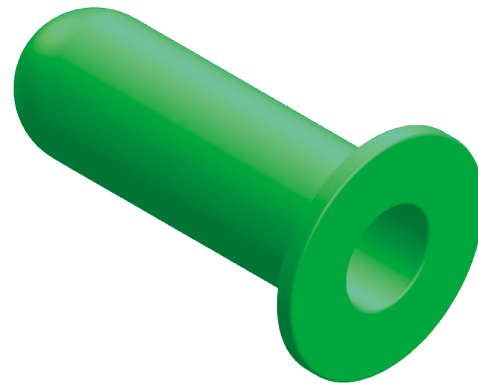
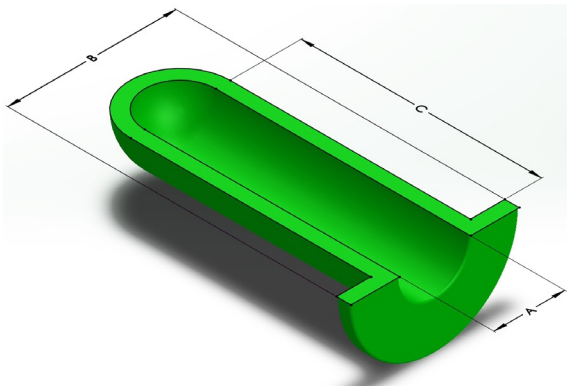
Temperature resistant up to 315 °C (600°F)

Reusable and chemical resistant

Material: Silicone

Color: See chart for colour coding

PART No.	COLOR	DIMENSIONS								PACK QUANTITY/ BAG
		A		B		C		L		
		INCHES	MM	INCHES	MM	INCHES	MM	INCHES	MM	
WCAP-100-500	CLEAR	0.100	2.54	0.500	12.70	0.225	5.72	1.0	25.4	500
WCAP-106-472	GREEN	0.106	2.69	0.472	11.99	0.244	6.20	1.0	25.4	500
WCAP-125-500	CLEAR	0.125	3.18	0.500	12.70	0.252	6.40	1.0	25.4	500
WCAP-140-500	CLEAR	0.140	3.56	0.500	12.70	0.323	8.20	1.0	25.4	500
WCAP-146-472	PINK	0.146	3.71	0.472	11.99	0.260	6.60	1.0	25.4	500
WCAP-156-500	CLEAR	0.156	3.96	0.500	12.70	0.315	8.00	1.0	25.4	500
WCAP-172-500	CLEAR	0.172	4.37	0.500	12.70	0.382	9.70	1.0	25.4	500
WCAP-180-600	GREEN	0.180	4.57	0.600	15.24	0.315	8.00	1.0	25.4	500
WCAP-220-472	CLEAR	0.220	5.59	0.472	12.00	0.339	8.60	0.8	20.0	500
WCAP-220-590	RED	0.220	5.59	0.590	14.99	0.358	9.09	1.0	25.4	500
WCAP-220-787	CLEAR	0.220	5.59	0.787	19.99	0.343	8.71	1.0	25.4	500
WCAP-223-720	CLEAR	0.223	5.66	0.720	18.29	0.343	8.71	1.0	25.4	500
WCAP-240-500	CLEAR	0.240	6.10	0.500	12.70	0.358	9.09	1.0	25.4	250
WCAP-295-500	CLEAR	0.295	7.49	0.500	12.70	0.413	10.49	1.0	25.4	250
WCAP-295-700	BLACK	0.295	7.49	0.700	17.78	0.413	10.49	1.0	25.4	250
WCAP-295-1000	CLEAR	0.295	7.49	1.000	25.40	0.413	10.49	1.0	25.4	250
WCAP-300-675	CLEAR	0.300	7.62	0.675	17.15	0.417	10.59	1.0	25.4	250
WCAP-375-825	YELLOW	0.375	9.53	0.825	20.96	0.512	13.00	1.5	38.1	250
WCAP-453-984	CLEAR	0.453	11.51	0.984	24.99	0.650	16.51	1.5	38.1	250
WCAP-460-700	CLEAR	0.460	11.68	0.700	17.78	0.571	14.50	1.0	25.4	250
WCAP-500-1000	CLEAR	0.500	12.70	1.000	25.40	0.606	15.39	1.0	25.4	250
WCAP-615-1180	RUSTY	0.615	15.62	1.180	29.97	0.815	20.70	1.5	38.1	250
WCAP-750-1250	CLEAR	0.750	19.05	1.250	31.75	0.870	22.10	1.5	38.1	250
WCAP-780-1475	GREY	0.780	19.81	1.475	37.47	0.972	24.69	1.5	38.1	100



MASKING CAPS

FC

FLANGE CAPS

FC SERIES

They are crafted with an inner ring at the open end of the cap to reduce surface friction, ensuring effortless application. The internal ring's diameter should be at least 10% smaller than the part's diameter to be capped. These components are built for long-lasting use and can withstand temperatures up to 315°C/600°F.

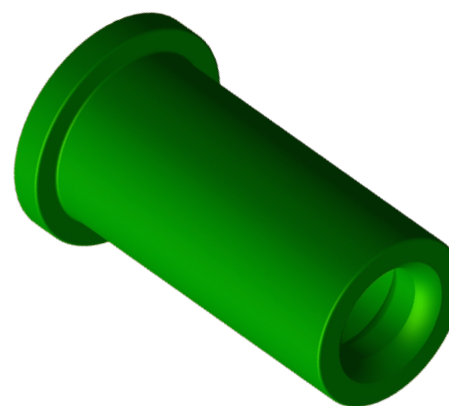
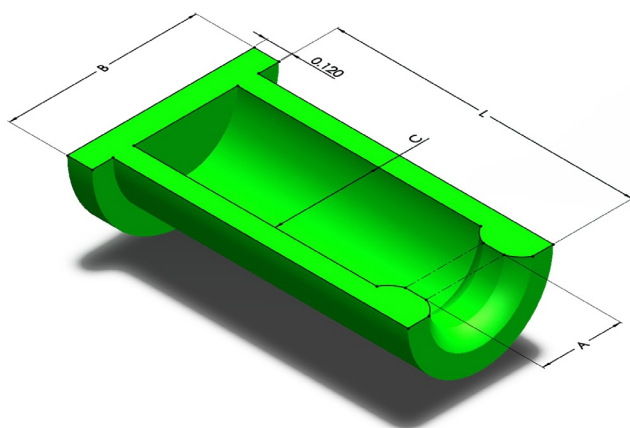
Temperature resistant up to 315 °C (600°F)

Reusable and chemical resistant

Material: Silicone / EPDM / Neoprene Rubber

Color: See chart for colour coding

PART No.	COLOR	DIMENSIONS								PACK
		A		B		C		L		QUANTITY/ BAG
		INCHES	MM	INCHES	MM	INCHES	MM	INCHES	MM	
FC-125-2000	CLEAR	0.125	3.18	0.650	16.51	0.250	6.35	2.000	50.80	250
FC-157-1180	CLEAR	0.157	3.99	0.682	17.32	0.282	7.16	1.180	29.97	500
FC-180-2000	CLEAR	0.180	4.57	0.705	17.91	0.305	7.75	2.000	50.80	250
FC-187-1377	CLEAR	0.187	4.75	0.712	18.08	0.312	7.92	1.377	34.98	500
FC-234-2000	CLEAR	0.234	5.94	0.759	19.28	0.359	9.12	2.000	50.80	250
FC-236-1180	CLEAR	0.236	5.99	0.761	19.33	0.361	9.17	1.180	29.97	250
FC-255-910	CLEAR	0.255	6.48	0.780	19.81	0.380	9.65	0.910	23.11	250
FC-275-1180	CLEAR	0.275	6.99	0.800	20.32	0.400	10.16	1.180	29.97	250
FC-294-1330	CLEAR	0.294	7.47	0.819	20.80	0.419	10.64	1.330	33.78	250
FC-315-974	CLEAR	0.315	8.00	0.840	21.34	0.440	11.18	0.974	24.74	250
FC-355-1500	CLEAR	0.355	9.02	0.880	22.35	0.480	12.19	1.500	38.10	250
FC-438-950	CLEAR	0.438	11.13	0.963	24.46	0.563	14.30	0.950	24.13	250
FC-451-1215	CLEAR	0.451	11.46	0.976	24.79	0.576	14.63	1.215	30.86	250
FC-485-1013	CLEAR	0.485	12.32	1.010	25.65	0.610	15.49	1.013	25.73	250
FC-531-1180	CLEAR	0.531	13.49	1.056	26.82	0.656	16.66	1.180	29.97	100
FC-608-1180	CLEAR	0.608	15.44	1.133	28.78	0.733	18.62	1.180	29.97	100
FC-750-2000	CLEAR	0.750	19.05	1.210	30.73	0.850	21.59	2.000	50.80	100
FC-980-1500	CLEAR	0.980	24.89	1.505	38.23	1.105	28.07	1.500	38.10	50
FC-1118-540	CLEAR	1.118	28.40	1.643	41.73	1.243	31.57	0.540	13.72	100

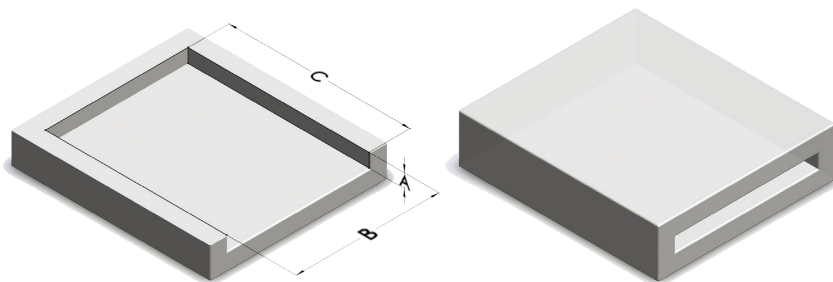


RECTANGULAR CAPS QA SERIES A

These rectangular caps have been engineered for grounding, particularly on electronic or computer case tabs. They also serve as effective masking solutions for various rectangular applications during high-temperature coating processes.
Material: Silicone

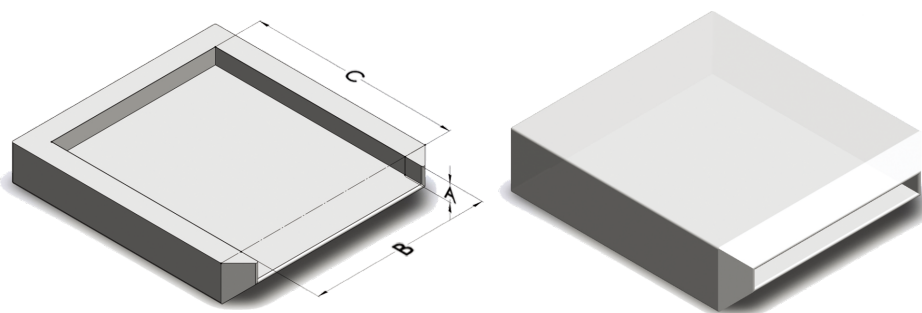
Temperature resistant up to 315 °C (600°F)
Reusable and chemical resistant
Material: Silicone / EPDM / Neoprene Rubber
Color: See chart for colour coding

PART No.	COLOR	DIMENSIONS						PACK QUANTITY/ BAG
		A		B		C		
		INCHES	MM	INCHES	MM	INCHES	MM	
Q-A-0157	CLEAR	0.157	3.99	0.787	19.99	0.024	0.61	1000
Q-A-0232	CLEAR	0.232	5.89	0.433	11.00	0.031	0.79	1000
Q-A-0248	CLEAR	0.248	6.30	0.394	10.00	0.030	0.76	1000
Q-A-0250	CLEAR	0.250	6.35	0.430	10.92	0.031	0.79	1000
Q-A-0312	CLEAR	0.312	7.92	0.325	8.26	0.025	0.64	1000
Q-A-0460	CLEAR	0.460	11.68	0.280	7.11	0.035	0.89	500
Q-A-0470	CLEAR	0.470	11.94	0.374	9.50	0.040	1.02	500
Q-A-0490	CLEAR	0.490	12.45	0.687	17.45	0.047	1.19	500



RECTANGULAR CAPS QB SERIES B

PART No.	COLOR	DIMENSIONS						PACK QUANTITY/ BAG
		A		B		C		
		INCHES	MM	INCHES	MM	INCHES	MM	
Q-B-0248-B	CLEAR	0.248	6.30	0.456	11.58	0.248	0.76	1000
Q-B-0470-B	CLEAR	0.470	11.94	0.374	9.50	0.248	1.02	500
Q-B-0490-B	CLEAR	0.490	12.45	0.687	17.45	0.248	1.20	500



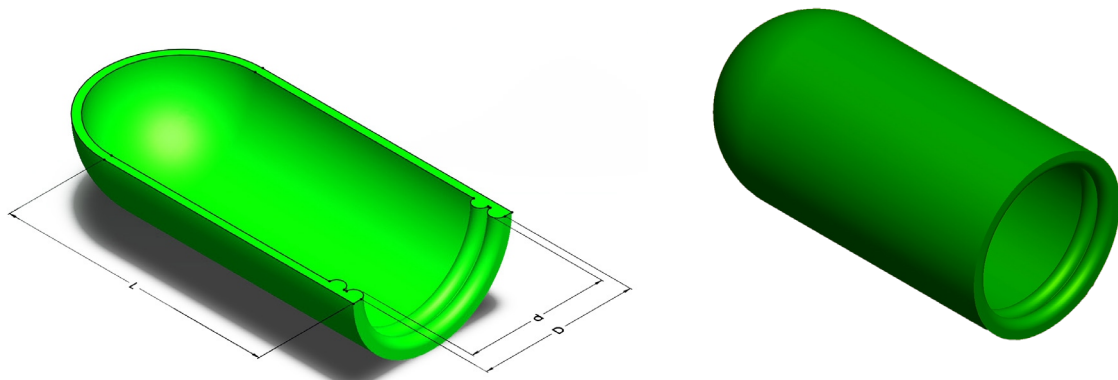
SILICONE CAPS BSC SERIES

The RC series silicone caps are expertly engineered to accommodate a variety of diameters. The first and second numbers indicate the millimetre diameters they can fit in each part number. For instance, the first part number, RSC-3-6, is suitable for diameters ranging from 3mm to 6mm. These caps are designed to minimize surface contact (friction), making applying and removing the caps effortless while maintaining an effective seal.

Material: Silicone
Colour: Natural

Temperature resistant up to 315 °C (600°F)
Reusable and chemical resistant
Material: Silicone / EPDM / Neoprene Rubber
Color: See chart for colour coding

PART No.	COLOR	DIMENSIONS						PACK QUANTITY/ BAG
		d		D		L		
		INCHES	MM	INCHES	MM	INCHES	MM	
BSC-3-6	CLEAR	0.118	3.00	0.236	6.00	1.535	39.00	500
BSC-6-9	CLEAR	0.236	6.00	0.354	9.00	1.535	39.00	500
BSC-9-12	CLEAR	0.354	9.00	0.472	12.00	1.535	39.00	250
BSC-12-15	CLEAR	0.472	12.00	0.591	15.00	1.535	39.00	250
BSC-15-18	CLEAR	0.591	15.00	0.709	18.00	1.535	39.00	250
BSC-18-21	CLEAR	0.709	18.00	0.827	21.00	1.535	39.00	100
BSC-21-24	CLEAR	0.827	21.00	0.945	24.00	1.535	39.00	100
BSC-24-27	CLEAR	0.945	24.00	1.063	27.00	1.535	39.00	100
BSC-27-30	CLEAR	1.063	27.00	1.181	30.00	2.047	52.00	100
BSC-30-33	CLEAR	1.181	30.00	1.299	33.00	2.047	52.00	50
BSC-33-36	CLEAR	1.299	33.00	1.417	36.00	2.047	52.00	50
BSC-36-39	CLEAR	1.417	36.00	1.535	39.00	2.047	52.00	50
BSC-39-42	CLEAR	1.535	39.00	1.654	42.00	2.047	52.00	50
BSC-42-45	CLEAR	1.654	42.00	1.772	45.00	2.047	52.00	50
BSC-45-48	CLEAR	1.772	45.00	1.890	48.00	2.047	52.00	50
BSC-48-51	CLEAR	1.890	48.00	2.008	51.00	2.047	52.00	25
BSC-51-54	CLEAR	2.008	51.00	2.126	54.00	2.047	52.00	25



CONE

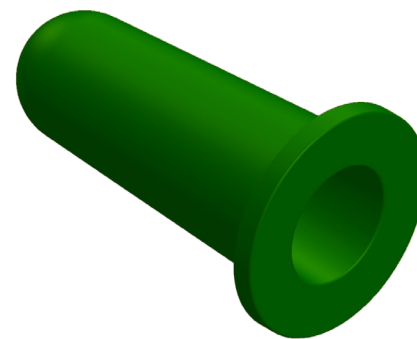
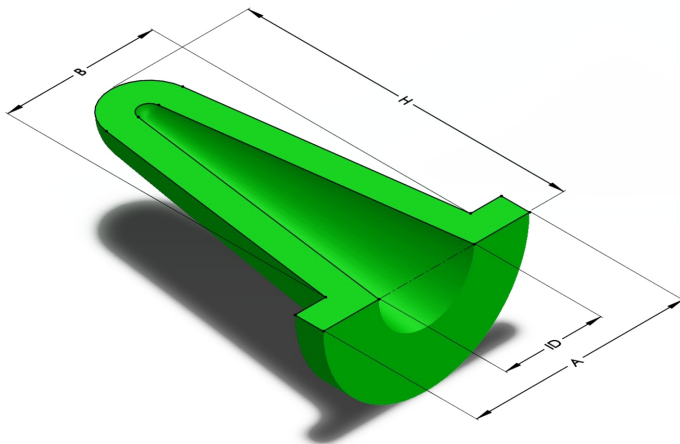
MASKING PLUGS

SILICONE CONES PLUGS CONE SERIES

Perfect for masking holes or studs and surrounding surfaces for grounding purposes. Their adaptability enables them to cover extrusions, threaded studs, PEMs, and dowels while plugging for tapped, irregular contours and threaded holes. They exhibit exceptional resilience, capable of withstanding temperatures up to 315°C / 600°F.
Material: Silicone

Temperature resistant up to 315 °C (600°F)
Reusable and chemical resistant
Material: Silicone / EPDM / Neoprene Rubber
Color: See chart for colour coding

PART No.	COLOR	DIMENSIONS										PACK QUANTITY/ BAG
		A		B		H		ID		C		
		INCHES	MM	INCHES	MM	INCHES	MM	INCHES	MM	INCHES	MM	
CONE-250-130	CLEAR	0.500	12.70	0.250	6.35	0.906	23.01	0.130	3.30	0.112	2.84	1000
CONE-316-216	RED	0.500	12.70	0.316	8.03	1.000	25.40	0.216	5.49	0.062	1.57	1000
CONE-335-177	YELLOW	0.625	15.88	0.335	8.51	1.000	25.40	0.177	4.50	0.100	2.54	1000
CONE-394-197	BROWN	0.650	16.51	0.394	10.01	1.102	27.99	0.197	5.00	0.065	1.65	1000
CONE-400-230	CLEAR	0.635	16.13	0.400	10.16	1.100	27.94	0.230	5.84	0.115	2.92	1000
CONE-551-315	BLACK	0.750	19.05	0.551	14.00	1.417	35.99	0.315	8.00	0.120	3.05	1000
CONE-689-453	GREEN	0.980	24.89	0.689	17.50	1.500	38.10	0.453	11.51	0.135	3.43	1000
CONE-767-532	BLUE	1.100	27.94	0.767	19.48	2.009	51.03	0.532	13.51	0.118	3.00	1000
CONE-819-583	RED	1.000	25.40	0.819	20.80	1.929	49.00	0.583	14.81	0.130	3.30	1000
CONE-866-630	PURPLE	1.220	30.99	0.866	22.00	2.087	53.01	0.630	16.00	0.125	3.18	1000



MASKING PLUGS

BEVEL

BEVEL PLUGS

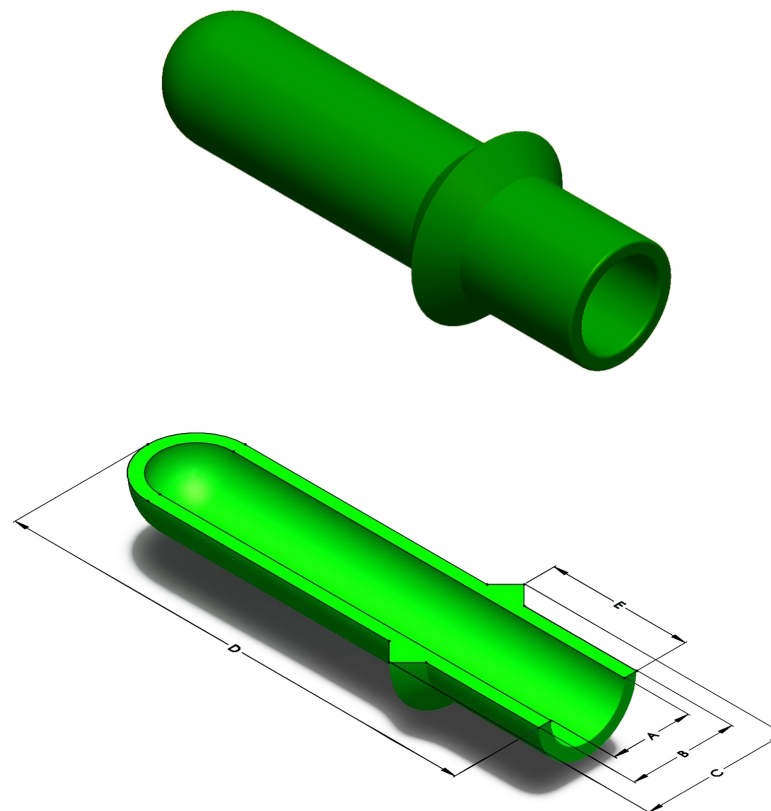
BEVEL SERIES

These silicone plugs have been purposefully crafted for secure placement using a tool, particularly in standard metric threaded holes, serving as effective high-temperature paint masks. These plugs ensure that the lead-in bevel and threads remain free from paint, and they can be conveniently removed by pulling the designated "E" dimension pull tab.

Material: Silicone

Temperature resistant up to 315 °C (600°F)
Reusable and chemical resistant
Material: Silicone / EPDM / Neoprene Rubber
Color: See chart for colour coding

PART No.	COLOR	DIMENSIONS										PACK QUANTITY/ BAG
		A		B		C		D		E		
		INCHES	MM	INCHES	MM	INCHES	MM	INCHES	MM	INCHES	MM	
BEVEL-M8	YELLOW	0.173	4.39	0.291	7.39	0.472	11.99	1.220	30.99	0.472	11.99	250
BEVEL-M10	PINK	0.224	5.69	0.343	8.71	0.579	14.71	1.260	32.00	0.512	13.00	250
BEVEL-M12	CLEAR	0.301	7.65	0.421	10.69	0.622	15.80	1.300	33.02	0.551	14.00	250
BEVEL-M12L	CLEAR	0.315	8.00	0.421	10.69	0.622	15.80	1.798	45.66	0.551	14.00	250
BEVEL-M14	GREY	0.421	10.69	0.539	13.69	0.709	18.01	1.340	34.04	0.591	15.01	250
BEVEL-M14L	CLEAR	0.376	9.55	0.500	12.70	0.690	17.53	2.250	57.15	0.670	17.02	250



TAPERED SILICONE PLUGS

ABT Series

The tapered configuration ensures compatibility with a range of hole diameters and is engineered for compression, achieving a superior seal for threaded and unthreaded holes. The primary diameter of the taper (D) must exceed the hole diameter by at least 15%. This product is highly recommended for powder coating applications and boasts outstanding chemical resistance. Silicone is rated to withstand curing temperatures of up to 315°C/600°F and is designed for long-lasting, reusable performance.

Temperature resistant up to 315 °C (600°F)
Reusable and chemical resistant
Material: Silicone / EPDM / Neoprene
Color: See chart for colour coding

Material Options: Silicone, EPDM, or Neoprene Rubber
 Colour Options: Refer to the provided colour chart.

PART No.	COLOR	DIMENSIONS						PACK QUANTITY/ BAG
		A		B		L		
		INCHES	MM	INCHES	MM	INCHES	MM	
ABT-63-625	BLACK	0.063	1.60	0.016	0.41	0.625	15.88	1000
ABT-78-750	BLUE	0.078	1.98	0.020	0.51	0.750	19.05	1000
ABT-125	CLEAR	0.125	3.18	0.031	0.79	0.625	15.88	1000
ABT-125-625	PINK	0.125	3.18	0.063	1.60	0.625	15.88	1000
ABT-187-625	WHITE	0.187	4.75	0.063	1.60	0.625	15.88	1000
ABT-187-750	RUSTY	0.187	4.75	0.063	1.60	0.750	19.05	1000
ABT-187-1000	CLEAR	0.187	4.75	0.063	1.60	1.000	25.40	1000
ABT-216-1500	PINK	0.216	5.49	0.047	1.19	1.500	38.10	1000
ABT-250-750	GREEN	0.250	6.35	0.125	3.18	0.750	19.05	1000
ABT-250-1000	RUSTY	0.250	6.35	0.125	3.18	1.000	25.40	1000
ABT-315-787	RED	0.315	8.00	0.157	3.99	0.787	19.99	1000
ABT-343-625	BLUE	0.343	8.71	0.188	4.78	0.625	15.88	1000
ABT-343-1000	RUSTY	0.343	8.71	0.188	4.78	1.000	25.40	1000
ABT-375-500	YELLOW	0.375	9.53	0.250	6.35	0.500	12.70	500
ABT-375-750	YELLOW	0.375	9.53	0.250	6.35	0.750	19.05	500
ABT-437-1000	RUSTY	0.437	11.10	0.250	6.35	1.000	25.40	500
ABT-469-813	CLEAR	0.469	11.91	0.344	8.74	0.813	20.65	500
ABT-562-1000	BLUE	0.562	14.27	0.313	7.95	1.000	25.40	250
ABT-562-1125	RUSTY	0.562	14.27	0.313	7.95	1.125	28.58	250
ABT-594-1000	PURPLE	0.594	15.09	0.406	10.31	1.000	25.40	250
ABT-625-875	CLEAR	0.625	15.88	0.438	11.13	0.875	22.23	250
ABT-656-1000	CLEAR	0.656	16.66	0.500	12.70	1.000	25.40	250
ABT-669-1000	RED	0.669	16.99	0.512	13.00	1.000	25.40	250
ABT-687-1000	CLEAR	0.687	17.45	0.438	11.13	1.000	25.40	250
ABT-748-1000	BLACK	0.748	19.00	0.562	14.27	1.000	25.40	250
ABT-787-1000	RED	0.787	19.99	0.625	15.88	1.000	25.40	100
ABT-800-625	CLEAR	0.800	20.32	0.625	15.88	0.625	15.88	100
ABT-925-750	CLEAR	0.925	23.50	0.750	19.05	0.750	19.05	100
ABT-938-1000	YELLOW	0.938	23.83	0.719	18.26	1.000	25.40	100
ABT-1000-1000	CLEAR	1.000	25.40	0.781	19.84	1.000	25.40	100
ABT-1063-1000	CLEAR	1.063	27.00	0.906	23.01	1.000	25.40	100
ABT-1100-1000	CLEAR	1.100	27.94	0.938	23.83	1.000	25.40	100
ABT-1220-1181	CLEAR	1.220	30.99	0.984	24.99	1.181	30.00	100
ABT-1250-1000	CLEAR	1.250	31.75	1.031	26.19	1.000	25.40	100

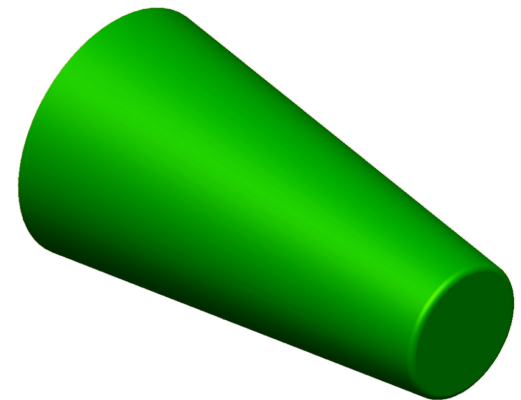
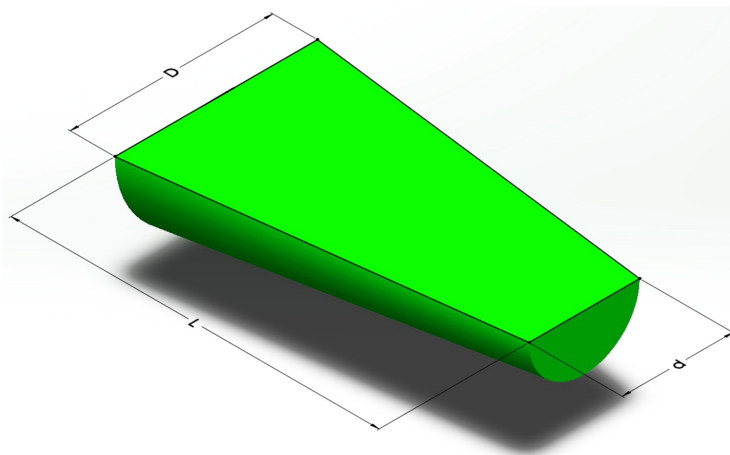
MASKING PLUGS

ABT

TAPERED SILICONE PLUGS

ABT Series

PART No.	COLOR	DIMENSIONS						PACK QUANTITY/ BAG
		A		B		L		
		INCHES	MM	INCHES	MM	INCHES	MM	
ABT-1313-1000	CLEAR	1.313	33.35	1.063	27.00	1.000	25.40	100
ABT-1438-1000	CLEAR	1.438	36.53	1.188	30.18	1.000	25.40	100
ABT-1531-1000	CLEAR	1.531	38.89	1.250	31.75	1.000	25.40	50
ABT-1625-1000	CLEAR	1.625	41.28	1.313	33.35	1.000	25.40	50
ABT-1688-1000	CLEAR	1.688	42.88	1.406	35.71	1.000	25.40	50
ABT-1750-1000	CLEAR	1.750	44.45	1.469	37.31	1.000	25.40	50
ABT-1813-1000	CLEAR	1.813	46.05	1.500	38.10	1.000	25.40	50
ABT-1969-1000	CLEAR	1.969	50.01	1.625	41.28	1.000	25.40	50
ABT-2063-1000	CLEAR	2.063	52.40	1.750	44.45	1.000	25.40	25
ABT-2203-1000	BLUE	2.203	55.96	1.875	47.63	1.000	25.40	25
ABT-2469-1000	CLEAR	2.469	62.71	1.969	50.01	1.000	25.40	25
ABT-2500-1000	CLEAR	2.500	63.50	2.125	53.98	1.000	25.40	25
ABT-2688-1000	CLEAR	2.688	68.28	2.281	57.94	1.000	25.40	25
ABT-2953-1375	CLEAR	2.953	75.01	2.438	61.93	1.375	34.93	25
ABT-3500-1500	CLEAR	3.500	88.90	3.000	76.20	1.500	38.10	10
ABT-4000-1500	CLEAR	4.000	101.60	3.250	82.55	1.500	38.10	10
ABT-5000-2000	CLEAR	5.000	127.00	3.500	88.90	2.000	50.80	5



SILICONE PULL TAB PLUG ABTP SERIES

The design of this plug accommodates a range of diameters, and when pushed or compressed, it enhances the sealing performance for masking both threaded and unthreaded holes.

Pull tab feature allows applying and removal of plug with ease.

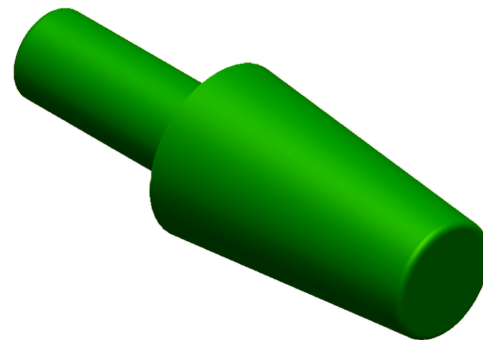
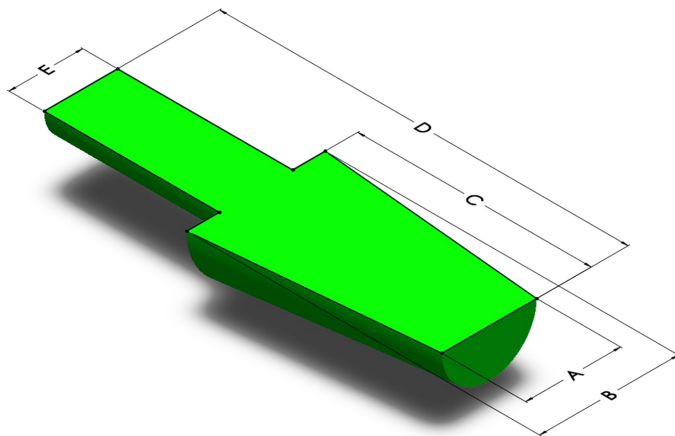
Temperature resistant up to 315 °C (600°F)

Material: Silicone /EPDM /Neoprene Rubber

Reusable and chemical resistant

Color: See chart for colour coding

PART No.	COLOR	DIMENSIONS										PACK QUANTITY/ BAG
		A		B		C		D		E		
		INCHES	MM	INCHES	MM	INCHES	MM	INCHES	MM	INCHES	MM	
ABTP-125-H	CLEAR	0.125	3.18	0.031	0.79	0.625	15.88	1.000	25.40	0.125	3.18	1000
ABTP-125-625-H	L. GREEN	0.125	3.18	0.063	1.60	0.625	15.88	1.000	25.40	0.125	3.18	1000
ABTP-187-625-H	PINK	0.187	4.75	0.063	1.60	0.625	15.88	1.000	25.40	0.125	3.18	1000
ABTP-250-750-H	BLACK	0.250	6.35	0.125	3.18	0.750	19.05	1.250	31.75	0.125	3.18	1000
ABTP-343-625-H	DARK RED	0.343	8.71	0.187	4.75	0.625	15.88	1.125	28.58	0.187	4.75	500
ABTP-375-500-H	WHITE	0.375	9.53	0.250	6.35	0.500	12.70	1.000	25.40	0.200	5.08	500
ABTP-375-750-H	YELLOW	0.375	9.53	0.250	6.35	0.750	19.05	1.250	31.75	0.250	6.35	250
ABTP-469-813-H	CLEAR	0.469	11.91	0.344	8.74	0.813	20.65	1.500	38.10	0.275	7.00	100
ABTP-594-1000-H	PURPLE	0.594	15.09	0.406	10.31	1.000	25.40	1.75	44.45	0.315	8.00	100
ABTP-625-875-H	L.GREEN	0.625	15.88	0.438	11.13	0.875	22.23	1.625	41.28	FLAT HANLE		100
ABTP-656-1000-H	PINK	0.656	16.66	0.500	12.70	1.000	25.40	1.750	44.45	FLAT HANLE		100
ABTP-781-1000-H	RED	0.781	19.84	0.625	15.88	1.000	25.40	1.750	44.45	FLAT HANLE		100
ABTP-938-1000-H	YELLOW	0.938	23.83	0.719	18.26	1.000	25.40	1.750	44.45	FLAT HANLE		100
ABTP-1000-1000-H	CLEAR	1.000	25.40	0.750	19.05	1.000	25.40	1.750	44.45	FLAT HANLE		100



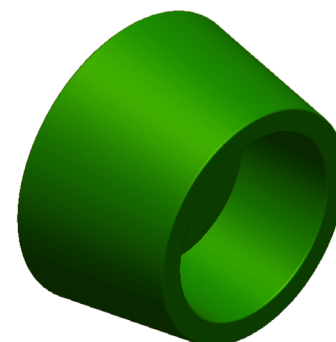
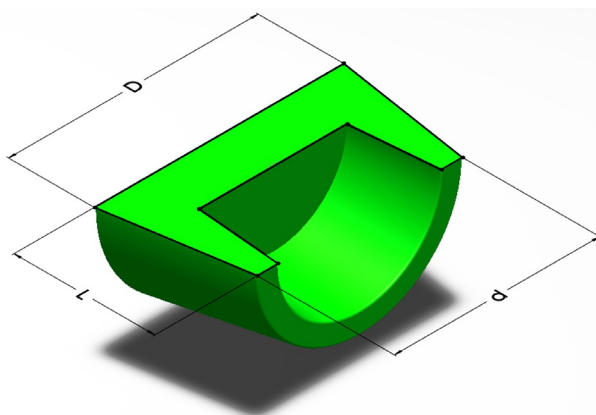
HOLLOW TAPERED SILICONE PLUGS

HWTS SERIES

The design of this plug is adaptable to various diameter sizes. When pushed or compressed, it significantly improves the seal when masking both threaded and unthreaded holes. Ensuring that the significant diameter exceeds the designated hole diameter by at least 15% is essential when choosing a size. This material also demonstrates exceptional resistance to chemicals. Silicone is capable of withstanding curing temperatures of up to 315°C/600°F and is engineered for long-lasting, repeat use.

Temperature resistant up to 315 °C (600°F)
 Reusable and chemical resistant
 Material: Silicone /EPDM /Neoprene
 Color: See chart for colour coding

PART No.	COLOR	DIMENSIONS						PACK
		A		B		L		QUANTITY/ BAG
		INCHES	MM	INCHES	MM	INCHES	MM	
HWTS-1061	CLEAR	1.061	26.95	0.797	20.25	1.000	25.40	200
HWTS-1063	WHITE	1.063	27.00	0.906	23.01	1.000	25.40	100
HWTS-1100	RUSTY	1.100	27.94	0.945	24.00	1.000	25.40	100
HWTS-1260	YELLOW	1.260	32.00	1.031	26.19	1.000	25.40	100
HWTS-1338	CLEAR	1.338	33.99	1.063	27.00	1.000	25.40	100
HWTS-1438	CLEAR	1.438	36.53	1.188	30.18	1.000	25.40	100
HWTS-1535	CLEAR	1.535	38.99	1.220	30.99	1.000	25.40	50
HWTS-1625	CLEAR	1.625	41.28	1.313	33.35	1.000	25.40	50
HWTS-1693	CLEAR	1.693	43.00	1.417	35.99	1.000	25.40	50
HWTS-1750	CLEAR	1.750	44.45	1.469	37.31	1.000	25.40	50
HWTS-1810	WHITE	1.810	45.97	1.496	38.00	1.000	25.40	50
HWTS-1968	RUSTY	1.968	49.99	1.653	41.99	1.000	25.40	50
HWTS-2086	CLEAR	2.086	52.98	1.770	44.96	1.000	25.40	25
HWTS-2203	CLEAR	2.203	55.96	1.890	48.01	1.000	25.40	25
HWTS-2469	CLEAR	2.469	62.71	1.969	50.01	1.000	25.40	25
HWTS-2500	CLEAR	2.500	63.50	2.125	53.98	1.000	25.40	25
HWTS-2688	CLEAR	2.688	68.28	2.281	57.94	1.000	25.40	25
HWTS-2953-1375	RED	2.953	75.01	2.438	61.93	1.375	34.93	25
HWTS-3228-1500	CLEAR	3.228	81.99	2.677	68.00	1.500	38.10	10
HWTS-3500-1500	CLEAR	3.500	88.90	3.000	76.20	1.500	38.10	10
HWTS-4000-1500	CLEAR	4.000	101.60	3.250	82.55	1.500	38.10	10
HWTS-5000-2000	WHITE	5.000	127.00	3.500	88.90	2.000	50.80	5

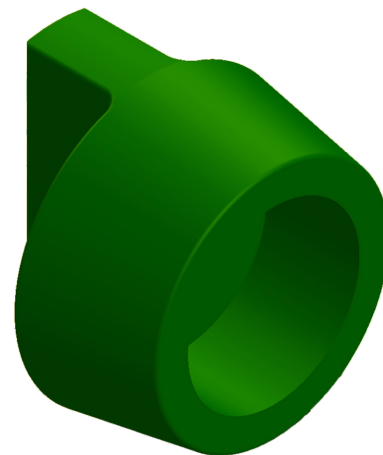
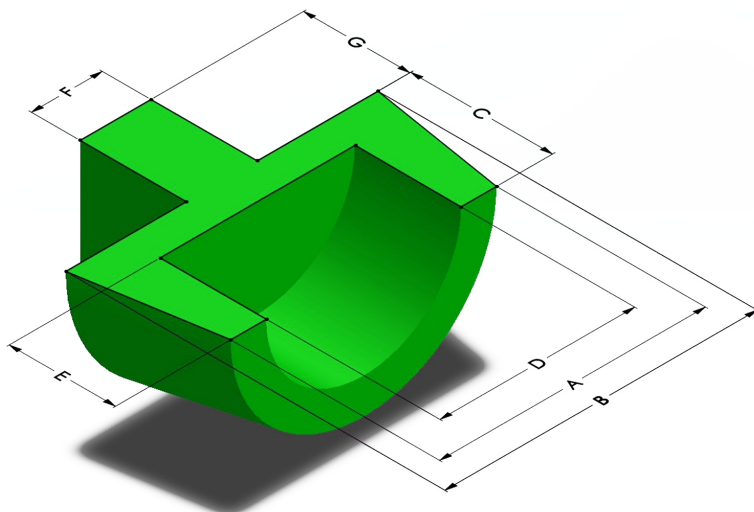


TAPERED SILICONE PLUGS HWPTS SERIES

The design of this plug is adaptable to various diameter sizes. When pushed or compressed, it significantly improves the seal when masking both threaded and unthreaded holes. Ensuring that the significant diameter exceeds the designated hole diameter by at least 15% is essential when choosing a size. This material also demonstrates exceptional resistance to chemicals. Silicone is capable of withstanding curing temperatures of up to 315°C/600°F and is engineered for long-lasting, repeat use.

Temperature resistant up to 315 °C (600°F)
Reusable and chemical resistant
Material: Silicone / EPDM / Neoprene
Color: See chart for colour coding

PART No.	COLOR	DIMENSIONS														PACK QUANTITY/ BAG
		A		B		L		D		E		F		G		
		INCHES	MM	INCHES	MM	INCHES	MM	INCHES	MM	INCHES	MM	INCHES	MM	INCHES	MM	
HWPTS1063-H	CLEAR	1.063	27.00	0.906	23.01	1.000	25.40	0.406	10.31	0.750	19.05	0.402	10.21	0.750	19.05	100
HWPTS1250-H	CLEAR	1.250	31.75	1.031	26.19	1.000	25.40	0.531	13.49	0.750	19.05	0.500	12.70	0.750	19.05	100
HWPTS1437-H	CLEAR	1.437	36.50	1.187	30.15	1.000	25.40	0.687	17.45	0.750	19.05	0.500	12.70	0.750	19.05	50
HWPTS1969-H	CLEAR	1.969	50.01	1.625	41.28	1.000	25.40	1.125	28.58	0.750	19.05	0.500	12.70	0.750	19.05	25
HWPTS2203-H	CLEAR	2.203	55.96	1.875	47.63	1.000	25.40	1.375	34.93	0.750	19.05	0.500	12.70	0.750	19.05	25



MASKING PLUGS

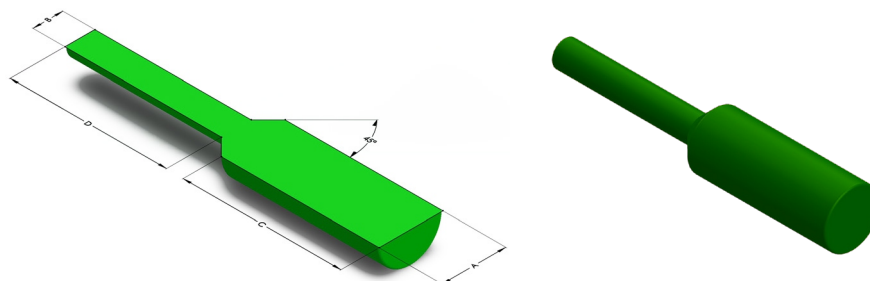
BHTP

BLIND HOLE THREAD PLUGS BHTP SERIES

The primary objective of designing these flanges is to mask the chamfers of blind threaded holes effectively. Adding a pull tab feature streamlines the application and removal of the plug. It's essential to remember that when selecting the plug size, the primary diameter should exceed the designated hole diameter by at least 5%.

Temperature resistant up to 315 °C (600°F)
Reusable and chemical resistant
Material: Silicone /EPDM /Neoprene Rubber
Color: See chart for colour coding

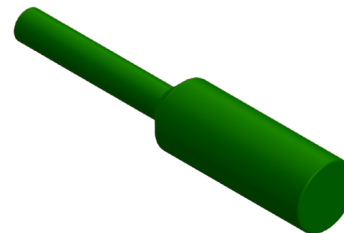
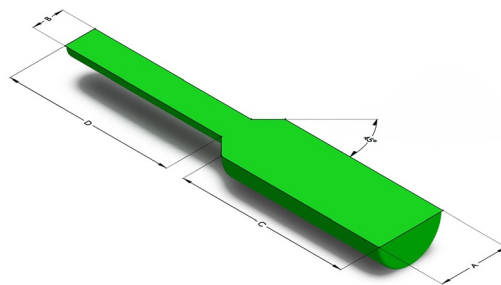
PART No.	COLOR	DIMENSIONS								PACK QUANTITY/ BAG
		A		B		C		D		
		INCHES	MM	INCHES	MM	INCHES	MM	INCHES	MM	
BHTP-62-375	CLEAR	0.062	1.57	0.046	1.17	0.375	9.53	0.337	8.56	500
BHTP-62-500	CLEAR	0.062	1.57	0.040	1.02	0.500	12.70	0.500	12.70	500
BHTP-63-625	CLEAR	0.063	1.60	0.045	1.14	0.625	15.88	0.625	15.88	500
BHTP-67-625	PINK	0.067	1.70	0.047	1.19	0.625	15.88	0.610	15.49	500
BHTP-73-612	GREEN	0.073	1.85	0.046	1.17	0.612	15.54	0.590	14.99	500
BHTP-80-1000	CLEAR	0.080	2.03	0.045	1.14	1.000	25.40	1.000	25.40	500
BHTP-91-1000	YELLOW	0.091	2.31	0.052	1.32	1.000	25.40	1.000	25.40	500
BHTP-93-625	GREY	0.093	2.36	0.050	1.27	0.625	15.88	0.625	15.88	500
BHTP-109-625	RED	0.109	2.77	0.062	1.57	0.625	15.88	0.625	15.88	500
BHTP-125-625	WHITE	0.125	3.18	0.070	1.78	0.625	15.88	0.625	15.88	500
BHTP-130-1000	CLEAR	0.130	3.30	0.093	2.36	1.000	25.40	1.000	25.40	500
BHTP-140-625	GREEN	0.140	3.56	0.085	2.16	0.625	15.88	0.558	14.17	500
BHTP-156-625	GREY	0.156	3.96	0.080	2.03	0.625	15.88	0.750	19.05	500
BHTP-156-1250	GREY	0.156	3.96	0.093	2.36	1.250	31.75	1.250	31.75	500
BHTP-175-1250	PURPLE	0.175	4.45	0.123	3.12	1.250	31.75	1.250	31.75	500
BHTP-187-625	RED	0.187	4.75	0.110	2.79	0.625	15.88	0.625	15.88	500
BHTP-195-625	WHITE	0.195	4.95	0.110	2.79	0.625	15.88	0.625	15.88	500
BHTP-195-1000	CLEAR	0.195	4.95	0.110	2.79	1.000	25.40	1.000	25.40	500
BHTP-218-1000	CLEAR	0.218	5.54	0.130	3.30	1.000	25.40	1.000	25.40	500
BHTP-225-1000	PINK	0.225	5.72	0.125	3.18	1.000	25.40	1.000	25.40	500
BHTP-236-1250	ORANGE	0.236	5.99	0.165	4.19	1.250	31.75	1.250	31.75	500
BHTP-257-1000	GREEN	0.257	6.53	0.130	3.30	1.000	25.40	1.000	25.40	500
BHTP-275-937	YELLOW	0.275	6.99	0.125	3.18	0.937	23.80	0.920	23.37	500
BHTP-281-1000	RED	0.281	7.14	0.138	3.51	1.000	25.40	1.000	25.40	500
BHTP-281-1250	CLEAR	0.281	7.14	0.138	3.51	1.250	31.75	1.250	31.75	500
BHTP-312-1000	GREY	0.312	7.92	0.147	3.73	1.000	25.40	1.000	25.40	500
BHTP-335-1000	WHITE	0.335	8.51	0.153	3.89	1.000	25.40	1.000	25.40	500
BHTP-350-900	CLEAR	0.350	8.89	0.193	4.90	0.900	22.86	1.000	25.40	500
BHTP-370-1181	CLEAR	0.370	9.40	0.185	4.70	1.181	30.00	1.181	30.00	250
BHTP-375-1000	CLEAR	0.375	9.53	0.157	3.99	1.000	25.40	1.000	25.40	250
BHTP-388-1000	RED	0.388	9.86	0.157	3.99	1.000	25.40	1.000	25.40	250
BHTP-408-1000	CLEAR	0.408	10.36	0.191	4.85	1.009	25.63	1.000	25.40	250
BHTP-437-1500	YELLOW	0.437	11.10	0.300	7.62	1.500	38.10	1.500	38.10	250



Inquiries? CALL US: (437) 523 6428

BLIND HOLE THREAD PLUGS BHTP SERIES

PART No.	COLOR	DIMENSIONS								PACK QUANTITY/ BAG
		A		B		C		D		
		INCHES	MM	INCHES	MM	INCHES	MM	INCHES	MM	
BHTP-440-1000	YELLOW	0.440	11.18	0.260	6.60	1.000	25.40	1.000	25.40	250
BHTP-445-1000	GREY	0.445	11.30	0.255	6.48	1.000	25.40	1.000	25.40	250
BHTP-472-1000	CLEAR	0.472	11.99	0.243	6.17	1.000	25.40	1.000	25.40	250
BHTP-510-1000	CLEAR	0.510	12.95	0.256	6.50	1.000	25.40	0.956	24.28	100
BHTP-530-1000	PINK	0.530	13.46	0.250	6.35	1.000	25.40	1.000	25.40	100
BHTP-551-1181	CLEAR	0.551	14.00	0.250	6.35	1.181	30.00	1.181	30.00	100
BHTP-570-1000	CLEAR	0.570	14.48	0.312	7.92	1.000	25.40	1.000	25.40	100
BHTP-590-1000	RED	0.590	14.99	0.250	6.35	1.000	25.40	1.000	25.40	100
BHTP-612-1000	YELLOW	0.612	15.54	0.250	6.35	1.000	25.40	1.000	25.40	100
BHTP-620-1500	BROWN	0.620	15.75	0.329	8.36	1.500	38.10	1.500	38.10	100
BHTP-640-1000	GREY	0.640	16.26	0.375	9.53	1.000	25.40	1.000	25.40	100
BHTP-670-1500	GREEN	0.670	17.02	0.470	11.94	1.500	38.10	1.500	38.10	100
BHTP-700-1250	CLEAR	0.700	17.78	0.375	9.53	1.250	31.75	1.250	31.75	100
BHTP-729-1000	WHITE	0.729	18.52	0.315	8.00	1.000	25.40	1.000	25.40	100
BHTP-750-1000	CLEAR	0.750	19.05	0.375	9.53	1.000	25.40	1.000	25.40	100
BHTP-770-1125	CLEAR	0.770	19.56	0.375	9.53	1.125	28.58	1.125	28.58	50
BHTP-770-1500	CLEAR	0.770	19.56	0.408	10.36	1.500	38.10	1.500	38.10	50
BHTP-807-1250	CLEAR	0.807	20.50	0.374	9.50	1.250	31.75	1.250	31.75	50
BHTP-807-1500	PINK	0.807	20.50	0.428	10.87	1.500	38.10	1.500	38.10	50
BHTP-809-1000	PINK	0.809	20.55	0.315	8.00	1.000	25.40	1.000	25.40	50
BHTP-843-2000	ORANGE	0.843	21.41	0.375	9.53	2.000	50.80	2.000	50.80	50
BHTP-850-2250	CLEAR	0.850	21.59	0.450	11.43	2.250	57.15	2.250	57.15	50
BHTP-1000-1000	CLEAR	1.000	25.40	0.375	9.53	1.000	25.40	1.000	25.40	50
BHTP-1020-1000	YELLOW	1.020	25.91	0.375	9.53	1.000	25.40	0.970	24.64	50
BHTP-1220-1250	RED	1.220	30.99	0.375	9.53	1.250	31.75	1.250	31.75	50
BHTP-1280-1969	CLEAR	1.280	32.50	0.591	15.00	1.969	50.00	1.181	30.00	50
BHTP-1380-1000	GREY	1.380	35.05	0.500	12.70	1.000	25.40	1.000	25.40	50
BHTP-1450-1000	CLEAR	1.450	36.83	0.500	12.70	1.000	25.40	1.000	25.40	25
BHTP-1575-1378	YELLOW	1.575	40.01	0.787	19.99	1.378	35.00	1.378	35.00	25
BHTP-1831-3543	CLEAR	1.831	46.50	0.827	21.00	3.543	90.00	2.835	72.00	25
BHTP-1961-3543	CLEAR	1.961	49.80	0.886	22.50	3.543	90.00	3.228	82.00	25



MASKING PLUGS

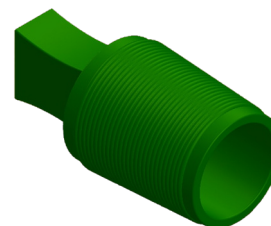
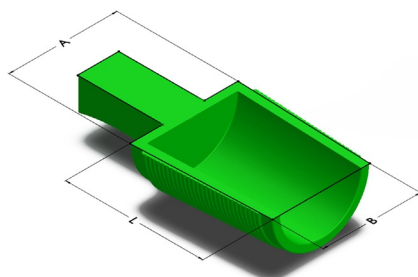
THF

FLANGLSS MASKS THF SERIES

The design of this plug is uniquely tailored to cover threaded holes effectively, ensuring the cleanliness of the surrounding surface. Its ribbed structure enables it to accommodate various threaded diameters. Additionally, including a pull tab feature simplifies both the application and the removal of the plug. Will withstand 315°C / 600°F.

Temperature resistant up to 315 °C (600°F)
 Reusable and chemical resistant
 Material: Silicone /EPDM /Neoprene
 Color: See chart for colour coding

PART No.	COLOR	DIMENSIONS						PACK QUANTITY/ BAG
		A		B		L		
		INCHES	MM	INCHES	MM	INCHES	MM	
THF-157-079	Clear	0.157	3.99	0.079	2.01	0.750	19.05	500
THF-236-157	Clear	0.236	5.99	0.157	3.99	1.000	25.40	250
THF-315-236	Clear	0.315	8.00	0.236	5.99	1.000	25.40	250
THF-394-315	Clear	0.394	10.01	0.315	8.00	1.000	25.40	250
THF-406-313	Clear	0.406	10.31	0.313	7.95	1.000	25.40	250
THF-468-406	Clear	0.468	11.89	0.406	10.31	1.000	25.40	250
THF-472-394	Clear	0.472	11.99	0.394	10.01	1.000	25.40	250
THF-551-472	Clear	0.551	14.00	0.472	11.99	1.000	25.40	250
THF-562-468	Clear	0.562	14.27	0.468	11.89	1.000	25.40	250
THF-625-562	Clear	0.625	15.88	0.562	14.27	1.000	25.40	250
THF-630-551	Clear	0.630	16.00	0.551	14.00	1.000	25.40	250
THF-709-630	Clear	0.709	18.01	0.630	16.00	1.000	25.40	250
THF-718-625	Clear	0.718	18.24	0.625	15.88	1.000	25.40	250
THF-750-718	Clear	0.750	19.05	0.718	18.24	1.000	25.40	250
THF-787-709	Clear	0.787	19.99	0.709	18.01	1.000	25.40	100
THF-875-750	Clear	0.875	22.23	0.750	19.05	1.000	25.40	100
THF-886-787	Clear	0.886	22.50	0.787	19.99	1.000	25.40	100
THF-945-886	Clear	0.945	24.00	0.886	22.50	1.000	25.40	100
THF-1000-875	Clear	1.000	25.40	0.875	22.23	1.000	25.40	100
THF-1024-945	Clear	1.024	26.01	0.945	24.00	1.000	25.40	100
THF-1102-1024	Clear	1.102	27.99	1.024	26.01	1.000	25.40	100
THF-1125-1000	Clear	1.125	28.58	1.000	25.40	1.000	25.40	100
THF-1250-1125	Clear	1.250	31.75	1.125	28.58	1.000	25.40	100
THF-415-188	Clear	0.415	10.54	0.188	4.78	1.000	25.40	1000
THF-641-415	Clear	0.641	16.28	0.415	10.54	1.000	25.40	500
THF-868-641	Clear	0.868	22.05	0.641	16.28	1.000	25.40	100
THF-1094-868	Clear	1.094	27.79	0.868	22.05	1.000	25.40	100
THF-1320-1094	Clear	1.320	33.53	1.094	27.79	1.000	25.40	100
THF-1547-1320	Clear	1.547	39.29	1.320	33.53	1.000	25.40	100
THF-1774-1547	Clear	1.774	45.06	1.547	39.29	1.000	25.40	100
THF-2000-1774	Clear	2.000	50.80	1.774	45.06	1.000	25.40	100



Inquiries? CALL US: (437) 523 6428

WASHER PLUGS 2X SERIES

They are designed for applications in powder coating, particularly when masking is needed around the hole's vicinity. These double-ended plugs offer versatility and convenient fitting and removal. They exhibit resilience at temperatures up to 315°C / 600°F and are reusable.

Material: Silicone

Colour Options: Refer to the provided colour chart.

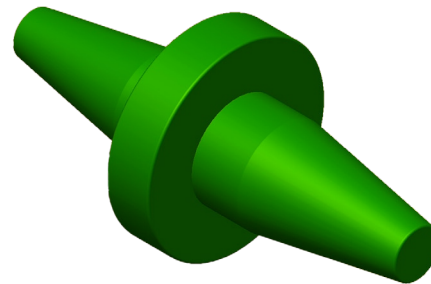
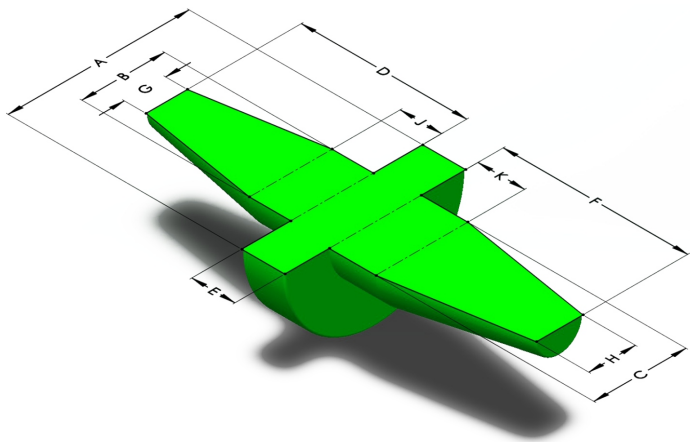
Temperature resistant up to 315 °C (600°F)

Reusable and chemical resistant

Material: Silicone / EPDM / Neoprene Rubber

Color: See chart for colour coding

PART No.	COLOR	DIMENSIONS																				PACK QUANTITY/ BAG
		A		B		C		D		E		F		G		H		J		K		
		INCHES	MM	INCHES	MM	INCHES	MM	INCHES	MM	INCHES	MM	INCHES	MM	INCHES	MM	INCHES	MM	INCHES	MM	INCHES	MM	
2X- M3	CLEAR	0.276	7.0	0.110	2.8	0.146	3.7	0.228	5.8	0.197	5.0	0.291	7.4	0.055	1.4	0.075	1.9	0.079	2.0	0.079	2.0	1000
2X-0130	CLEAR	0.500	12.7	0.130	3.3	0.209	5.3	0.295	7.5	0.197	5.0	0.394	10.0	0.079	2.0	0.118	3.0	0.098	2.5	0.118	3.0	500
2X-0130-0500-0375	CLEAR	0.500	12.7	0.130	3.3	0.375	9.5	0.500	12.7	0.187	4.8	0.500	12.7	0.063	1.6	0.283	7.2	0.179	4.6	0.179	4.6	500
2X-0142	CLEAR	0.311	7.9	0.142	3.6	0.181	4.6	0.500	12.7	0.197	5.0	0.500	12.7	0.091	2.3	0.118	3.0	0.098	2.5	0.098	2.5	1000
2X- M4	CLEAR	0.354	9.0	0.142	3.6	0.185	4.7	0.283	7.2	0.197	5.0	0.370	9.4	0.071	1.8	0.094	2.4	0.079	2.0	0.094	2.4	1000
2X- M5	CLEAR	0.374	9.5	0.177	4.5	0.224	5.7	0.354	9.0	0.197	5.0	0.449	11.4	0.091	2.3	0.110	2.8	0.091	2.3	0.110	2.8	1000
2X-0177-0394-0224	CLEAR	0.394	10.0	0.177	4.5	0.224	5.7	0.500	12.7	0.197	5.0	0.500	12.7	0.098	2.5	0.126	3.2	0.128	3.3	0.148	3.8	1000
2X-0180-0375-0180	CLEAR	0.375	9.5	0.180	4.6	0.180	4.6	0.500	12.7	0.197	5.0	0.500	12.7	0.098	2.5	0.098	2.5	0.138	3.5	0.138	3.5	500
2X-0180-0500-0200	CLEAR	0.500	12.7	0.181	4.6	0.201	5.1	0.500	12.7	0.189	4.8	0.500	12.7	0.098	2.5	0.118	3.0	0.098	2.5	0.118	3.0	500
2X-0200	CLEAR	0.375	9.5	0.200	5.1	0.274	7.0	0.417	10.6	0.197	5.0	0.528	13.4	0.098	2.5	0.138	3.5	0.102	2.6	0.134	3.4	250
2X- M6	CLEAR	0.492	12.5	0.209	5.3	0.264	6.7	0.417	10.6	0.197	5.0	0.528	13.4	0.102	2.6	0.134	3.4	0.102	2.6	0.134	3.4	250
2X- M8	CLEAR	0.669	17.0	0.280	7.1	0.343	8.7	0.559	14.2	0.197	5.0	0.685	17.4	0.142	3.6	0.169	4.3	0.142	3.6	0.169	4.3	250
2X-0346	CLEAR	0.625	15.9	0.346	8.8	0.413	10.5	0.500	12.7	0.197	5.0	0.500	12.7	0.287	7.3	0.350	8.9	0.177	4.5	0.177	4.5	100
2X- M10	CLEAR	0.827	21.0	0.378	9.6	0.421	10.7	0.756	19.2	0.197	5.0	0.843	21.4	0.189	4.8	0.213	5.4	0.189	4.8	0.213	5.4	100
2X- M12	CLEAR	0.945	24.0	0.429	10.9	0.500	12.7	0.858	21.8	0.197	5.0	1.000	25.4	0.217	5.5	0.252	6.4	0.217	5.5	0.252	6.4	100
2X-0551	CLEAR	0.787	20.0	0.551	14.0	0.689	17.5	0.500	12.7	0.197	5.0	0.500	12.7	0.453	11.5	0.551	14.0	0.138	3.5	0.138	3.5	100



MASKING PLUGS

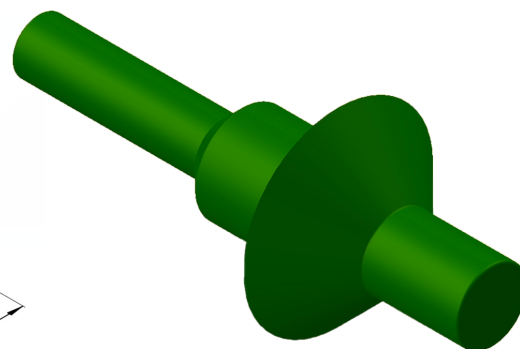
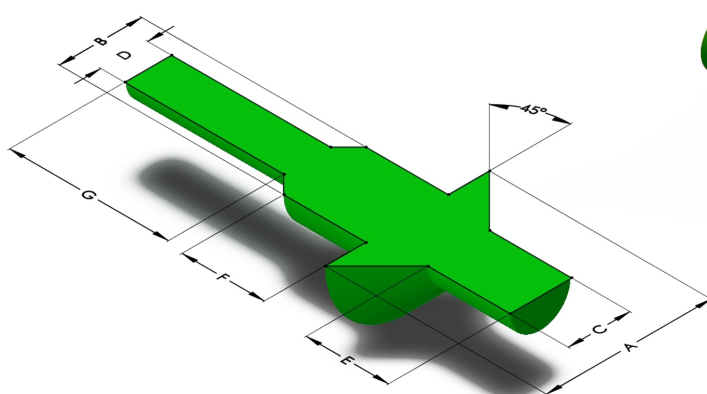
PTWP

WASHER PULL PLUGS PTWP SERIES

The design of these plugs is explicitly tailored for concealing the diameter around through holes. Incorporating a pull tab feature facilitates the downward pulling of the plug, which in turn decompresses the primary diameter and creates a secure seal upon releasing the pull tab. Furthermore, a top pull tab is included to enable easy plug removal.

Temperature resistant up to 315 °C (600°F)
Reusable and chemical resistant
Material: Silicone / EPDM / Neoprene Rubber
Color: See chart for colour coding

PART No.	COLOR	DIMENSIONS														PACK QUANTITY/ BAG
		A		B		L		D		E		F		G		
		INCHES	MM	INCHES	MM	INCHES	MM	INCHES	MM	INCHES	MM	INCHES	MM	INCHES	MM	
PTWP-0114	PINK	0.394	10.0	0.114	2.9	0.098	2.5	0.098	2.5	0.394	10.0	0.591	15.0	0.787	20.0	1000
PTWP-0150	WHITE	0.394	10.0	0.150	3.8	0.118	3.0	0.118	3.0	0.394	10.0	0.591	15.0	0.787	20.0	1000
PTWP-0175	CLEAR	0.394	10.0	0.175	4.5	0.150	3.8	0.100	2.5	0.500	12.7	0.390	9.9	0.390	9.9	1000
PTWP-0177	GREEN	0.472	12.0	0.177	4.5	0.118	3.0	0.118	3.0	0.394	10.0	0.591	15.0	0.787	20.0	1000
PTWP-0185	CLEAR	0.500	12.7	0.185	4.7	0.190	4.8	0.120	3.0	0.400	10.2	0.390	9.9	0.434	11.0	1000
PTWP-0195	CLEAR	0.562	14.3	0.195	5.0	0.160	4.1	0.110	2.8	0.500	12.7	0.390	9.9	0.390	9.9	1000
PTWP-0197-S	CLEAR	0.394	10.0	0.197	5.0	0.138	3.5	0.138	3.5	0.394	10.0	0.394	10.0	0.591	15.0	1000
PTWP-0197	CLEAR	0.591	15.0	0.197	5.0	0.157	4.0	0.157	4.0	0.394	10.0	0.591	15.0	0.787	20.0	250
PTWP-0217	BLUE	0.551	14.0	0.217	5.5	0.157	4.0	0.157	4.0	0.394	10.0	0.591	15.0	0.787	20.0	250
PTWP-0225	CLEAR	0.625	15.9	0.225	5.7	0.190	4.8	0.128	3.3	0.500	12.7	0.390	9.9	0.390	9.9	250
PTWP-0236-L	CLEAR	0.591	15.0	0.236	6.0	0.177	4.5	0.177	4.5	0.394	10.0	0.591	15.0	0.787	20.0	250
PTWP-0285	GREY	0.591	15.0	0.285	7.2	0.240	6.1	0.160	4.1	0.500	12.7	0.390	9.9	0.390	9.9	250
PTWP-0285-XL	WHITE	0.650	16.5	0.285	7.2	0.240	6.1	0.160	4.1	0.413	10.5	0.500	12.7	0.600	15.2	250
PTWP-0291	YELLOW	0.630	16.0	0.291	7.4	0.157	4.0	0.157	4.0	0.394	10.0	0.591	15.0	0.787	20.0	250
PTWP-0315	CLEAR	0.591	15.0	0.315	8.0	0.197	5.0	0.197	5.0	0.394	10.0	0.394	10.0	0.602	15.3	250
PTWP-0330	CLEAR	0.700	17.8	0.330	8.4	0.165	4.2	0.165	4.2	0.390	9.9	0.530	13.5	0.651	16.5	250
PTWP-0345	CLEAR	0.812	20.6	0.345	8.8	0.290	7.4	0.195	5.0	0.500	12.7	0.390	9.9	0.390	9.9	250
PTWP-0362	RUSTY	0.709	18.0	0.362	9.2	0.197	5.0	0.197	5.0	0.394	10.0	0.591	15.0	0.984	25.0	250
PTWP-0375	YELLOW	0.787	20.0	0.375	9.5	0.320	8.1	0.215	5.5	0.500	12.7	0.390	9.9	0.390	9.9	250
PTWP-0394	CLEAR	0.787	20.0	0.394	10.0	0.295	7.5	0.224	5.7	0.394	10.0	0.394	10.0	0.760	19.3	100
PTWP-0430	CLEAR	0.787	20.0	0.430	10.9	0.360	9.1	0.245	6.2	0.500	12.7	0.390	9.9	0.390	9.9	100
PTWP-0430-L	CLEAR	1.120	28.5	0.430	10.9	0.200	5.1	0.200	5.1	0.500	12.7	1.300	33.0	1.300	33.0	100
PTWP-0433	RED	0.787	20.0	0.433	11.0	0.197	5.0	0.197	5.0	0.394	10.0	0.591	15.0	0.984	25.0	100
PTWP-0445	CLEAR	0.812	20.6	0.445	11.3	0.360	9.1	0.245	6.2	0.395	10.0	0.500	12.7	0.500	12.7	100
PTWP-0460	BLUE	1.062	27.0	0.460	11.7	0.390	9.9	0.265	6.7	0.300	7.6	0.390	9.9	0.390	9.9	100



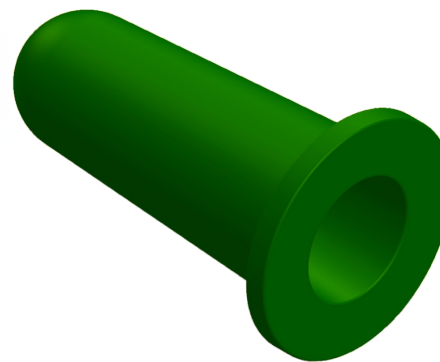
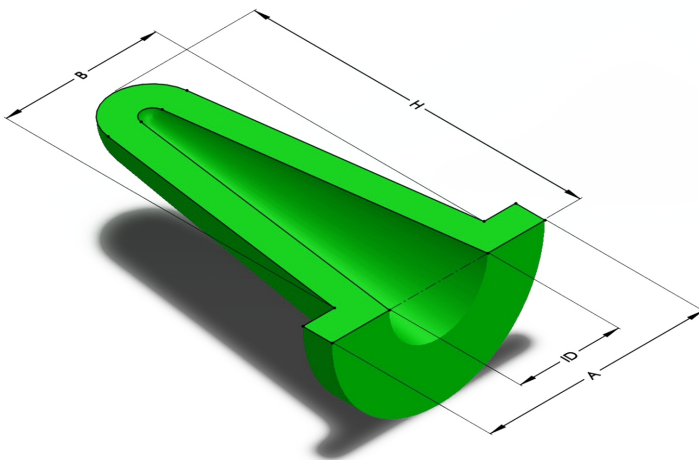
FLANGE CAPS

SP SERIES

The internal ribbed design of these plugs ensures a secure seal, with the additional benefit of minimizing friction during both the application and removal of the cap. Furthermore, a cap flange is employed to simplify the removal process.

Temperature resistant up to 315 °C (600°F)
 Reusable and chemical resistant
 Material: Silicone / EPDM / Neoprene Rubber
 Color: See chart for colour coding

PART No.	COLOR	DIMENSIONS								PACK QUANTITY/ BAG
		A		B		C		L		
		INCHES	MM	INCHES	MM	INCHES	MM	INCHES	MM	
SP-M3	Clear	0.276	7.01	0.118	3.00	0.276	7.01	0.512	13.00	500
SP-0118	Clear	0.276	7.00	0.118	3.00	0.193	4.90	0.500	12.70	500
SP-M4	Clear	0.315	8.00	0.197	5.00	0.315	8.00	0.551	14.00	500
SP-0311	Clear	0.311	7.90	0.201	5.10	0.193	4.90	0.500	12.70	500
SP-0201	Clear	0.433	11.00	0.201	5.10	0.185	4.70	0.386	9.80	500
SP-M5	Clear	0.354	8.99	0.236	5.99	0.354	8.99	0.631	16.03	500
SP-0244	Clear	0.350	8.89	0.244	6.20	0.197	5.00	0.500	12.70	500
SP-0256	Clear	0.394	10.00	0.256	6.50	0.193	4.90	0.500	12.70	500
SP-M6	Clear	0.400	10.16	0.253	6.43	0.400	10.16	0.694	17.63	500
SP-M8	Clear	0.489	12.42	0.324	8.23	0.384	9.75	0.682	17.32	500
SP-0327	Clear	0.496	12.60	0.327	8.31	0.197	5.00	0.500	12.70	500
SP-0476	Clear	0.630	16.00	0.476	12.09	0.209	5.31	0.504	12.80	500



MASKING PLUGS

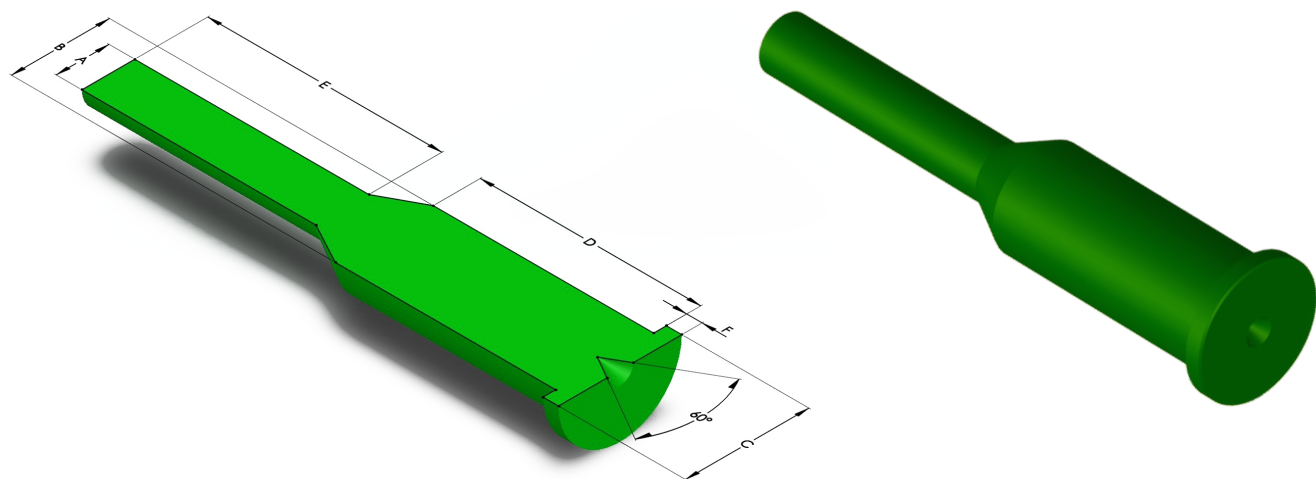
WNPP

WELD NUT PULL PLUGS WNPP SERIES

The design of these plugs is explicitly intended for concealing countersinks and lead-in bevels in threaded holes. The inclusion of a pull tab feature enables the plug to be drawn downward, effectively decompressing the primary diameter, and creating a secure seal upon releasing the pull tab.

Temperature resistant up to 315 °C (600°F)
Reusable and chemical resistant
Material: Silicone / EPDM / Neoprene Rubber
Color: See chart for colour coding

PART No.	COLOR	DIMENSIONS														PACK QUANTITY/ BAG
		A		B		L		D		E		F		G		
		INCHES	MM	INCHES	MM	INCHES	MM	INCHES	MM	INCHES	MM	INCHES	MM	INCHES	MM	
WNPP-0170	CLEAR	0.170	4.32	0.120	3.05	0.300	7.62	1.000	25.40	1.000	25.40	0.060	1.52	0.025	0.64	500
WNPP-0173	RED	0.173	4.39	0.098	2.49	0.250	6.35	1.000	25.40	1.000	25.40	0.060	1.52	0.025	0.64	500
WNPP-0210	WHITE	0.210	5.33	0.130	3.30	0.360	9.14	0.500	12.70	0.500	12.70	0.040	1.02	0.040	1.02	500
WNPP-0218	BLUE	0.218	5.54	0.125	3.18	0.340	8.64	1.000	25.40	1.031	26.19	0.070	1.78	0.068	1.73	500
WNPP-0230	GREY	0.230	5.84	0.125	3.18	0.350	8.89	1.000	25.40	1.031	26.19	0.070	1.78	0.099	2.51	500
WNPP-0285	YELLOW	0.285	7.24	0.160	4.06	0.400	10.16	1.000	25.40	1.062	26.97	0.070	1.78	0.098	2.49	500
WNPP-0335	ORANGE	0.335	8.51	0.160	4.06	0.460	11.68	1.000	25.40	1.031	26.19	0.070	1.78	0.128	3.25	500
WNPP-0350	PINK	0.350	8.89	0.187	4.75	0.473	12.01	1.000	25.40	1.062	26.97	0.070	1.78	0.148	3.76	500
WNPP-0420	GREEN	0.420	10.67	0.235	5.97	0.540	13.72	1.000	25.40	1.062	26.97	0.070	1.78	0.168	4.27	250
WNPP-0445	PURPLE	0.445	11.30	0.240	6.10	0.560	14.22	1.000	25.40	1.062	26.97	0.070	1.78	0.190	4.83	250
WNPP-0490	WHITE	0.490	12.45	0.255	6.48	0.610	15.49	1.000	25.40	1.000	25.40	0.078	1.98	0.118	3.00	250
WNPP-0518	GREY	0.518	13.16	0.256	6.50	0.636	16.15	1.000	25.40	1.000	25.40	0.071	1.80	0.215	5.46	250
WNPP-0545	RUSTY	0.545	13.85	0.275	6.99	0.663	16.85	1.000	25.40	1.000	25.40	0.071	1.80	0.138	3.50	250
WNPP-0580	RED	0.580	14.73	0.295	7.49	0.700	17.78	1.000	25.40	1.000	25.40	0.071	1.80	0.142	3.61	250



DUAL FLANGE PULL PLUGS

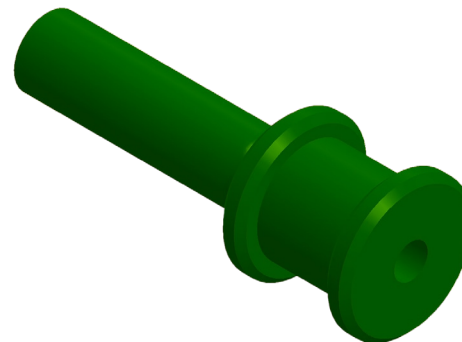
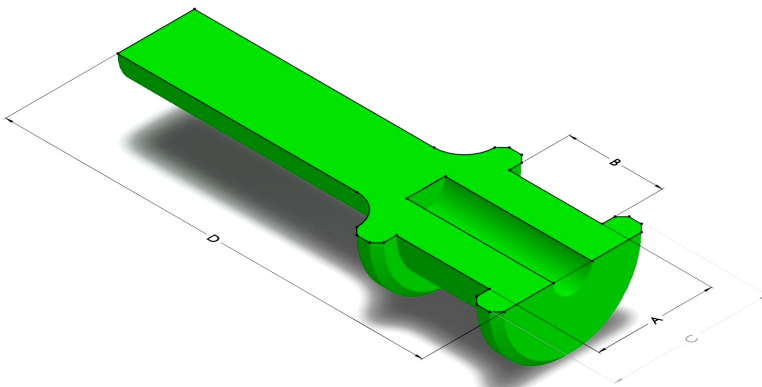
DUAL-FX SERIES

These pull plugs are ideally suited for masking weld nuts or other threaded through-hole applications, especially during painting or to shield against weld splatter. They effectively hide the threaded chamfer and the first and last threads. Their bore design offers sufficient flexibility, allowing compression during plug application and removal. These plugs exhibit excellent temperature resistance, enduring up to 315°C / 600°F, and are built for long-lasting, reusable use.

Material: Silicone

Temperature resistant up to 315 °C (600°F)
 Reusable and chemical resistant
 Material: Silicone /EPDM /Neoprene Rubber
 Color: See chart for colour coding

PART No.	COLOR	DIMENSIONS																		PACK QUANTITY/ BAG
		A		B		C		D		E		F		G		H		I		
		INCHES	MM	INCHES	MM	INCHES	MM	INCHES	MM	INCHES	MM	INCHES	MM	INCHES	MM	INCHES	MM	INCHES	MM	
DUAL-FX-M5	BLACK	0.273	6.934	0.369	9.373	0.160	4.064	0.245	6.223	0.080	2.032	0.604	15.342	0.040	1.016	1.053	26.746	0.062	1.575	500
DUAL-FX-M6	GREEN	0.307	7.798	0.404	10.262	0.197	5.004	0.265	6.731	0.197	5.004	0.804	20.422	0.073	1.854	0.360	9.144	0.080	2.032	500
DUAL-FX-M8	RED	0.374	9.500	0.455	11.557	0.264	6.706	0.315	8.001	0.150	3.810	0.808	20.523	0.129	3.277	0.410	10.414	0.080	2.032	500
DUAL-FX-0261	BLUE	0.375	9.525	0.420	10.668	0.261	6.629	0.280	7.112	0.210	5.334	0.810	20.574	0.140	3.556	0.510	12.954	0.070	1.778	500
DUAL-FX-M8XL	BLUE	0.374	9.500	0.485	12.319	0.264	6.706	0.345	8.763	0.220	5.588	0.778	19.761	0.129	3.277	0.410	10.414	0.080	2.032	500
DUAL-FX-0270A	WHITE	0.420	10.668	0.389	9.881	0.270	6.858	0.265	6.731	0.225	5.715	0.750	19.050	0.150	3.810	0.625	15.875	0.125	3.175	500
DUAL-FX-0315	BLACK	0.425	10.795	0.420	10.668	0.315	8.001	0.260	6.604	0.200	5.080	0.804	20.422	0.180	4.572	0.360	9.144	0.080	2.032	500
DUAL-FX-0335	GREEN	0.445	11.303	0.400	10.160	0.335	8.509	0.260	6.604	0.150	3.810	0.804	20.422	0.200	5.080	0.360	9.144	0.080	2.032	500
DUAL-FX-M10	GREEN	0.445	11.303	0.494	12.548	0.335	8.509	0.354	8.992	0.150	3.810	0.804	20.422	0.200	5.080	0.450	11.430	0.080	2.032	500
DUAL-FX-0335L	PINK	0.445	11.303	0.494	12.548	0.335	8.509	0.354	8.992	0.275	6.985	0.804	20.422	0.200	5.080	0.450	11.430	0.080	2.032	500
DUAL-FX-M12	PURPLE	0.512	13.005	0.597	15.164	0.406	10.312	0.457	11.608	0.221	5.613	1.055	26.797	0.200	5.080	0.557	14.148	0.080	2.032	250
DUAL-FX-0400	YELLOW	0.520	13.208	0.605	15.367	0.400	10.160	0.445	11.303	0.300	7.620	1.065	27.051	0.200	5.080	0.705	17.907	0.080	2.032	250
DUAL-FX-0404	YELLOW	0.512	13.005	0.550	13.970	0.404	10.262	0.390	9.906	0.221	5.613	1.000	25.400	0.200	5.080	0.360	9.144	0.080	2.032	250
DUAL-FX-0410	PURPLE	0.512	13.005	0.400	10.160	0.406	10.312	0.260	6.604	0.221	5.613	1.095	27.813	0.200	5.080	0.360	9.144	0.080	2.032	250
DUAL-FX-M16	WHITE	0.685	17.399	0.690	17.526	0.535	13.589	0.550	13.970	0.350	8.890	1.230	31.242	0.280	7.112	0.650	16.510	0.080	2.032	100
DUAL-FX-0530	GREEN	0.669	16.993	0.710	18.034	0.530	13.462	0.550	13.970	0.400	10.160	1.260	32.004	0.310	7.874	0.810	20.574	0.080	2.032	100
DUAL-FX-M20	BLUE	0.827	21.006	0.850	21.590	0.669	16.993	0.709	18.009	0.484	12.294	1.353	34.376	0.414	10.516	0.809	20.549	0.080	2.032	100



MASKING PLUGS

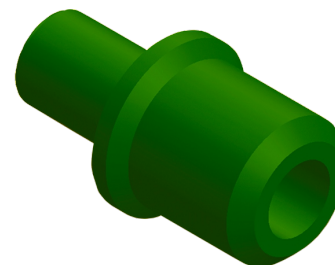
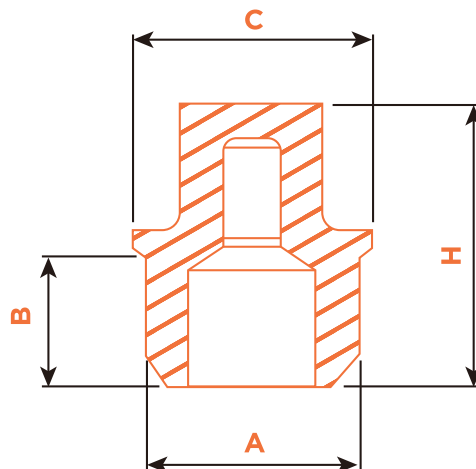
BSHT

BLIND HOLE THREAD PLUGS BSHT SERIES

The design of these flanges is intended explicitly for concealing the chamfers of blind threaded holes. Incorporating a pull tab feature simplifies both the application and the removal of the plug. It's important to note that when choosing the plug size, ensure that the significant diameter exceeds the designated hole diameter by at least 5%.

Temperature resistant up to 315 °C (600°F)
Reusable and chemical resistant
Material: Silicone /EPDM /Neoprene Rubber
Color: See chart for colour coding

PART No.	COLOR	DIMENSIONS								PACK QUANTITY/ BAG
		A		B		C		H		
		INCHES	MM	INCHES	MM	INCHES	MM	INCHES	MM	
BSHT-0107	CLEAR	0.107	2.72	0.210	5.33	0.138	3.51	0.820	20.83	1000
BSHT-0141	CLEAR	0.141	3.58	0.230	5.84	0.161	4.09	0.860	21.84	1000
BSHT-0178	GREEN	0.178	4.52	0.220	5.59	0.207	5.26	0.820	20.83	1000
BSHT-0210-M6	CLEAR	0.210	5.33	0.200	5.08	0.250	6.35	0.570	14.48	500
BSHT-0218L	CLEAR	0.218	5.54	0.279	7.09	0.260	6.60	0.922	23.42	500
BSHT-0268	CLEAR	0.268	6.80	0.571	14.50	0.354	9.00	1.270	32.27	500
BSHT-0278	GREEN	0.278	7.06	0.200	5.08	0.320	8.13	0.500	12.70	500
BSHT-0283-M8	BLUE	0.283	7.19	0.200	5.08	0.335	8.51	0.586	14.88	500
BSHT-0336	WHITE	0.336	8.53	0.250	6.35	0.385	9.78	0.600	15.24	500
BSHT-0358-M10	PINK	0.358	9.09	0.241	6.12	0.409	10.39	0.615	15.62	250
BSHT-0426-M12	RUSTY	0.426	10.82	0.346	8.79	0.489	12.42	0.789	20.04	250
BSHT-0451	CLEAR	0.451	11.46	0.352	8.94	0.510	12.95	0.750	19.05	250
BSHT-0503	CLEAR	0.503	12.78	0.390	9.91	0.565	14.35	0.846	21.49	250
BSHT-0583-M16	GREEN	0.583	14.81	0.408	10.36	0.670	17.02	0.906	23.01	100
BSHT-0643	CLEAR	0.643	16.33	0.375	9.53	0.733	18.62	1.282	32.56	100
BSHT-0724-M20	YELLOW	0.724	18.39	0.512	13.00	0.811	20.60	1.127	28.63	100
BSHT-0825	CLEAR	0.825	20.96	0.375	9.53	0.915	23.24	1.282	32.56	100
BSHT-0840	CLEAR	0.840	21.34	0.535	13.59	0.941	23.90	1.302	33.07	100
BSHT-0896	BLUE	0.896	22.76	0.630	16.00	0.947	24.05	1.490	37.85	100



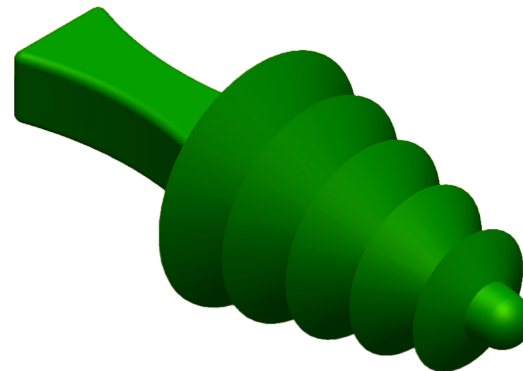
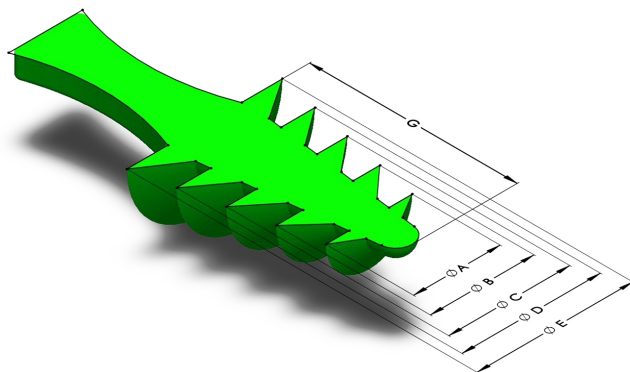
Inquiries? CALL US: (437) 523 6428

MULTI-LEVEL PLUG MLP-SERIES

Design of these plug is specific to masking multiple internal hole Threads.
Tapered flanges provide the plug to fit a variety of threaded diameters.
Pull tab feature allows applying and removal of plug with ease.

Temperature resistant up to 315 °C (600°F)
Reusable and chemical resistant
Material: Silicone /EPDM /Neoprene Rubber
Color: See chart for colour coding

PART No.	COLOR	DIMENSIONS														PACK QUANTITY/ BAG
		A		B		L		D		E		F		G		
		INCHES	MM	INCHES	MM	INCHES	MM	INCHES	MM	INCHES	MM	INCHES	MM	INCHES	MM	
MLP-CT-4-10	BLUE	0.163	4	0.245	6	0.327	8	0.408	10	0.000		0.434	10.63	0.555	13.6	500
MLP-CT-8-16	RUSTY	0.327	8	0.408	10	0.490	12	0.571	14	0.653	16	0.776	19	0.959	23.5	200
MLP-CT-10-18	GREEN	0.408	10	0.490	12	0.571	14	0.653	16	0.735	18	0.776	19	0.980	24	200



MASKING PLUGS

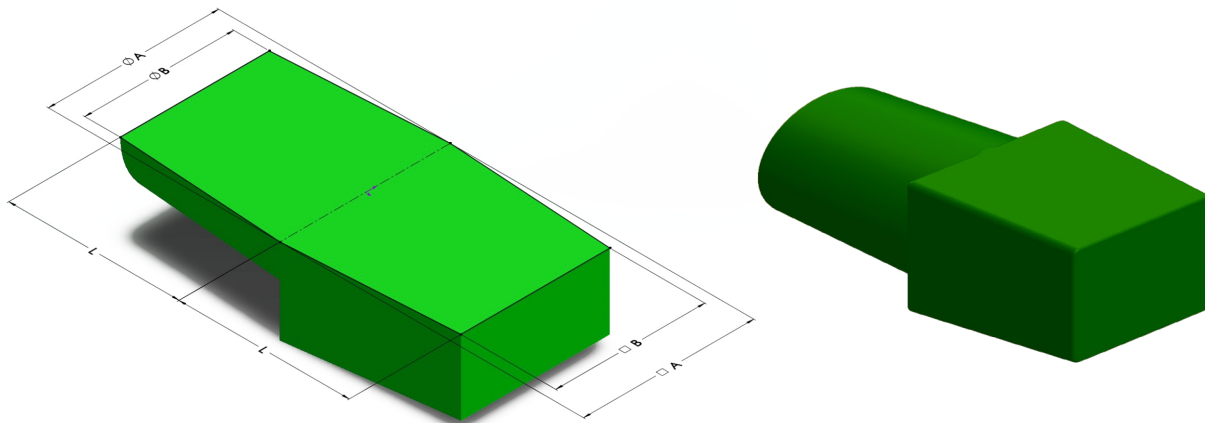
FKCP

ROUND & SQUARE PLUG FKCP SERIES

Design of these plug is specific to masking multiple internal Rectangle hole sizes.
Tapered flanges provide the plug to fit a variety of threaded diameters.
Pull tab feature allows applying and removal of plug with ease.

Temperature resistant up to 315 °C (600°F)
Reusable and chemical resistant
Material: Silicone /EPDM /Neoprene Rubber
Color: See chart for colour coding

PART No.	COLOR	DIMENSIONS								PACK QUANTITY/ BAG
		A		B		C		L		
		INCHES	MM	INCHES	MM	INCHES	MM	INCHES	MM	
FKCP-0500-0625	BLUE	0.500	12.70	0.375	9.53	0.625	15.88	0.02	0.50	100
FKCP-0625-0750	GREEN	0.625	15.88	0.500	12.70	0.750	19.05	0.02	0.50	100
FKCP-0750-0750	BLACK	0.750	19.05	0.625	15.88	0.750	19.05	0.03	0.75	100
FKCP-1000-1000	RED	1.000	25.40	0.875	22.23	1.000	25.40	0.04	1.00	100

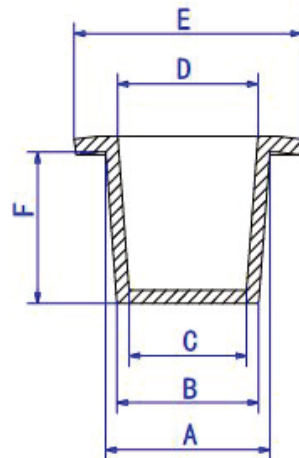


TAPERED SILICONE CAP OR PLUG (RED) RST-SERIES

The tapered structure of this product enables it to serve dual purposes as both a cap and a plug. When used as a cap, the "C" dimension should be at least .020 inches smaller than the diameter of the object being capped. Conversely, when functioning as a plug, the "B" dimension must be at least .020 inches larger than the opening. It is heat resistant, withstanding temperatures up to 600 degrees Fahrenheit, and is typically available in Red Color.

Temperature resistant up to 315 °C (600°F)
Reusable and chemical resistant
Material: Silicone
Color: RED

PART No.	COLOR	DIMENSIONS												PACK QUANTITY/ BAG
		A		B		L		D		E		F		
		INCHES	MM	INCHES	MM	INCHES	MM	INCHES	MM	INCHES	MM	INCHES	MM	
RST-0182-R		0.182	4.62	0.116	2.95	0.053	1.35	0.120	3.05	0.330	8.38	0.380	9.65	1000
RST-0240-R		0.240	6.1	0.173	4.39	0.111	2.82	0.177	4.5	0.400	10.16	0.380	9.65	1000
RST-0295-R		0.295	7.49	0.240	6.1	0.174	4.42	0.240	6.1	0.460	11.68	0.380	9.65	1000
RST-0365-R		0.365	9.27	0.299	7.59	0.235	5.97	0.302	7.67	0.520	13.21	0.380	9.65	1000
RST-0367-R		0.367	9.32	0.325	8.25	0.263	6.68	0.305	7.75	0.500	12.7	0.190	4.83	1000
RST-0418-R		0.418	10.62	0.361	9.17	0.298	7.57	0.357	9.07	0.580	14.73	0.380	9.65	1000
RST-0485-R		0.485	12.32	0.419	10.64	0.356	9.04	0.422	10.72	0.650	16.51	0.380	9.65	1000
RST-0536-R		0.536	13.61	0.471	11.96	0.409	10.39	0.477	12.12	0.710	18.03	0.440	11.18	1000
RST-0608-R		0.608	15.44	0.532	13.51	0.468	11.89	0.545	13.84	0.770	19.56	0.440	11.18	500
RST-0667-R		0.667	16.94	0.580	14.73	0.518	13.16	0.605	15.37	0.830	21.08	0.500	12.7	500
RST-0727-R		0.727	18.47	0.640	16.26	0.578	14.68	0.664	16.87	0.900	22.86	0.500	12.7	500
RST-0788-R		0.788	20.02	0.690	17.53	0.628	15.95	0.726	18.44	0.960	24.38	0.560	14.22	500
RST-0848-R		0.848	21.54	0.750	19.05	0.687	17.45	0.785	19.94	1.020	25.91	0.560	14.22	500
RST-0911-R		0.911	23.14	0.802	20.37	0.740	18.8	0.849	21.56	1.080	27.43	0.630	16	200
RST-0975-R		0.975	24.77	0.866	22	0.803	20.4	0.912	23.16	1.150	29.21	0.630	16	200
RST-1090-R		1.090	27.69	0.964	24.49	0.901	22.89	1.027	26.09	1.270	32.26	0.750	19.05	200
RST-1215-R		1.215	30.86	1.094	27.79	1.031	26.19	1.152	29.26	1.430	36.32	0.750	19.05	200
RST-1355-R		1.355	34.42	1.224	31.09	1.161	29.49	1.292	32.82	1.520	38.61	0.750	19.05	200
RST-1465-R		1.465	37.21	1.312	33.32	1.249	31.72	1.402	35.61	1.650	41.91	0.880	22.35	200
RST-1600-R		1.600	40.64	1.447	36.75	1.384	35.15	1.537	39.04	1.770	44.96	0.880	22.35	100
RST-1682-R		1.682	42.72	1.560	39.62	1.498	38.05	1.620	41.15	1.900	48.26	0.750	19.05	100
RST-1880-R		1.880	47.75	1.750	44.45	1.688	42.88	1.818	46.18	2.020	51.31	0.750	19.05	100
RST-1950-R		1.950	49.53	1.780	45.21	1.718	43.64	1.888	47.96	2.150	54.61	1.000	25.4	100
RST-2076-R		2.076	52.73	1.900	48.26	1.837	46.66	2.013	51.13	2.270	57.66	1.000	25.4	100
RST-2210-R		2.210	56.13	2.035	51.69	1.976	50.19	2.153	54.69	2.360	59.94	1.000	25.4	100
RST-2430-R		2.430	61.72	2.255	57.28	2.196	55.78	2.373	60.27	2.580	65.53	1.000	25.4	50
RST-2700-R		2.700	68.58	2.525	64.14	2.466	62.64	2.643	67.13	2.850	72.39	1.000	25.4	50
RST-2940-R		2.940	74.68	2.765	70.23	2.706	68.73	2.883	73.23	3.090	78.49	1.000	25.4	50



MASKING PLUGS

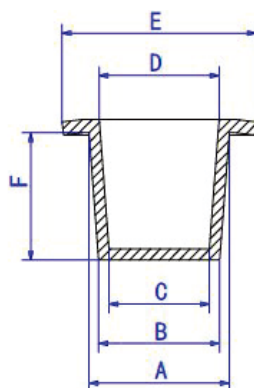
CST

TAPERED SILICONE CAP OR PLUG (NATURAL) CST-SERIES

The tapered structure of this product enables it to serve dual purposes as both a cap and a plug. When used as a cap, the "C" dimension should be at least .020 inches smaller than the diameter of the object being capped. Conversely, when functioning as a plug, the "B" dimension must be at least .020 inches larger than the opening. It is heat resistant, withstanding temperatures up to 600 degrees Fahrenheit, and is typically available in Natural Color.

Temperature resistant up to 315 °C (600°F)
Reusable and chemical resistant
Material: Silicone
Color: NATURAL

PART No.	COLOR	DIMENSIONS												PACK QUANTITY/ BAG
		A		B		L		D		E		F		
		INCHES	MM	INCHES	MM	INCHES	MM	INCHES	MM	INCHES	MM	INCHES	MM	
CST-0182-N		0.182	4.62	0.116	2.95	0.053	1.35	0.120	3.05	0.330	8.38	0.380	9.65	1000
CST-0240-N		0.240	6.1	0.173	4.39	0.111	2.82	0.177	4.5	0.400	10.16	0.380	9.65	1000
CST-0295-N		0.295	7.49	0.240	6.1	0.174	4.42	0.240	6.1	0.460	11.68	0.380	9.65	1000
CST-0365-N		0.365	9.27	0.299	7.59	0.235	5.97	0.302	7.67	0.520	13.21	0.380	9.65	1000
CST-0367-N		0.367	9.32	0.325	8.25	0.263	6.68	0.305	7.75	0.500	12.7	0.190	4.83	1000
CST-0418-N		0.418	10.62	0.361	9.17	0.298	7.57	0.365	9.27	0.580	14.73	0.380	9.65	1000
CST-0485-N		0.485	12.32	0.419	10.64	0.356	9.04	0.422	10.72	0.650	16.51	0.380	9.65	1000
CST-0536-N		0.536	13.61	0.471	11.96	0.409	10.39	0.485	12.32	0.710	18.03	0.440	11.18	1000
CST-0608-N		0.608	15.44	0.532	13.51	0.468	11.89	0.545	13.84	0.770	19.56	0.440	11.18	500
CST-0667-N		0.667	16.94	0.580	14.73	0.518	13.16	0.605	15.37	0.830	21.08	0.500	12.7	500
CST-0727-N		0.727	18.47	0.640	16.26	0.578	14.68	0.664	16.87	0.900	22.86	0.500	12.7	500
CST-0788-N		0.788	20.02	0.690	17.53	0.628	15.95	0.726	18.44	0.960	24.38	0.560	14.22	500
CST-0848-N		0.848	21.54	0.750	19.05	0.687	17.45	0.785	19.94	1.020	25.91	0.560	14.22	500
CST-0911-N		0.911	23.14	0.802	20.37	0.740	18.8	0.849	21.56	1.080	27.43	0.630	16	200
CST-0975-N		0.975	24.76	0.866	22	0.803	20.4	0.912	23.16	1.150	29.21	0.630	16	200
CST-1090-N		1.090	27.69	0.964	24.49	0.901	22.89	1.027	26.09	1.270	32.26	0.750	19.05	200
CST-1215-N		1.215	30.86	1.094	27.79	1.031	26.19	1.152	29.26	1.430	36.32	0.750	19.05	200
CST-1355-N		1.355	34.42	1.224	31.09	1.161	29.49	1.292	32.82	1.520	38.61	0.750	19.05	200
CST-1465-N		1.465	37.21	1.312	33.32	1.249	31.72	1.402	35.61	1.650	41.91	0.880	22.35	200
CST-1600-N		1.600	40.64	1.447	36.75	1.384	35.15	1.537	39.04	1.770	44.96	0.880	22.35	100
CST-1682-N		1.682	42.72	1.560	39.62	1.498	38.05	1.620	41.15	1.900	48.26	0.750	19.05	100
CST-1880-N		1.880	47.75	1.750	44.45	1.688	42.88	1.818	46.18	2.020	51.31	0.750	19.05	100
CST-1950-N		1.950	49.53	1.780	45.21	1.718	43.64	1.888	47.96	2.150	54.61	1.000	25.4	100
CST-2076-N		2.076	52.73	1.900	48.26	1.837	46.66	2.013	51.13	2.270	57.66	1.000	25.4	100
CST-2210-N		2.210	56.13	2.035	51.69	1.976	50.19	2.153	54.69	2.360	59.94	1.000	25.4	100
CST-2430-N		2.430	61.72	2.255	57.28	2.196	55.78	2.373	60.27	2.580	65.53	1.000	25.4	50
CST-2700-N		2.700	68.58	2.525	64.13	2.466	62.64	2.643	67.13	2.850	72.39	1.000	25.4	50
CST-2940-N		2.940	74.68	2.765	70.23	2.706	68.73	2.883	73.23	3.090	78.49	1.000	25.4	50



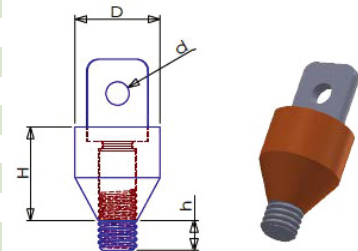
SM-KIT

MASKING PLUGS

SM KIT=SK+MH ASSEMBLED

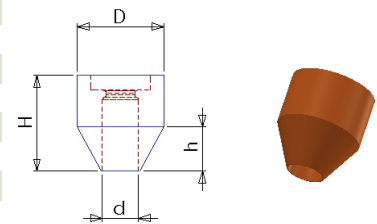


PART No.	COLOR	DIMENSIONS										PACK QUANTITY/ BAG
		D		d		H		h		G SET		
		INCHES	MM	INCHES	MM	INCHES	MM	INCHES	MM	INCHES	MM	
SM-KIT-M3	Pink	0.394	10	0.118	3	0.433	11	0.102	2.6	0.074	1.89	500
SM-KIT-M4	Clear	0.433	11	0.118	3	0.472	12	0.102	2.6	0.131	3.33	500
SM-KIT-M5	Orange	0.433	11	0.118	3	0.472	12	0.150	3.8	0.170	4.33	500
SM-KIT-M6	Yellow	0.551	14	0.197	5	0.492	12.5	0.161	4.1	0.256	6.50	200
SM-KIT-M8	White	0.709	18	0.236	6	0.512	13	0.185	4.7	0.499	12.68	200
SM-KIT-M10	Blue	0.787	20	0.394	10	0.591	15	0.228	5.8	0.800	20.32	100
SM-KIT-M12	Green	0.866	22	0.394	10	0.591	15	0.228	5.8	1.085	27.56	100
SM-KIT-M14	Purple	0.906	23	0.394	10	0.591	15	0.228	5.8	1.322	33.59	100
SM-KIT-M16	Red	0.945	24	0.394	10	0.630	16	0.268	6.8	1.791	45.50	50
SM-KIT-M20	Brown	1.102	28	0.394	10	0.768	19.5	0.248	6.3	3.051	77.49	20



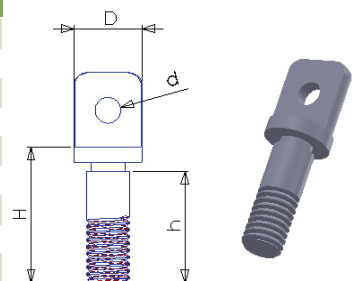
SK SILICONE COVERS

PART No.	COLOR	DIMENSIONS										PACK QUANTITY/ BAG
		D		d		H		h		G SET		
		INCHES	MM	INCHES	MM	INCHES	MM	INCHES	MM	INCHES	MM	
SK-M3	Pink	0.394	10	0.102	2.6	0.433	11	0.236	6	0.025	0.63	500
SK-M4	Clear	0.433	11	0.142	3.6	0.472	12	0.256	6.5	0.031	0.79	500
SK-M5	Orange	0.433	11	0.181	4.6	0.472	12	0.217	5.5	0.031	0.80	500
SK-M6	Yellow	0.551	14	0.220	5.6	0.492	12.5	0.276	7	0.049	1.25	200
SK-M8	White	0.709	18	0.299	7.6	0.512	13	0.354	9	0.074	1.87	200
SK-M10	Blue	0.787	20	0.366	9.3	0.591	15	0.354	9	0.108	2.74	100
SK-M12	Green	0.866	22	0.441	11.2	0.591	15	0.374	9.5	0.121	3.07	100
SK-M14	Purple	0.906	23	0.520	13.2	0.591	15	0.354	9	0.128	3.26	100
SK-M16	Red	0.945	24	0.591	15	0.630	16	0.295	7.5	0.149	3.78	50
SK-M20	Brown	1.102	28	0.740	18.8	0.768	19.5	0.374	9.5	0.202	5.14	20



MH STEEL EYE BOLTS

PART No.	COLOR	DIMENSIONS										PACK QUANTITY/ BAG
		D		d		H		h		G SET		
		INCHES	MM	INCHES	MM	INCHES	MM	INCHES	MM	INCHES	MM	
MH-M3		0.236	6	0.118	3	0.535	13.6	0.433	11	0.050	1.26	500
MH-M4		0.315	8	0.118	3	0.575	14.6	0.453	11.5	0.100	2.54	500
MH-M5		0.315	8	0.118	3	0.622	15.8	0.512	13	0.139	3.53	500
MH-M6		0.413	10.5	0.197	5	0.654	16.6	0.539	13.7	0.207	5.25	200
MH-M8		0.512	13	0.236	6	0.697	17.7	0.575	14.6	0.426	10.81	200
MH-M10		0.630	16	0.394	10	0.819	20.8	0.669	17	0.692	17.58	100
MH-M12		0.709	18	0.394	10	0.819	20.8	0.669	17	0.964	24.49	100
MH-M14		0.709	18	0.394	10	0.819	20.8	0.669	17	1.194	30.33	100
MH-M16		0.787	20	0.394	10	0.898	22.8	0.709	18	1.643	41.72	50
MH-M20		0.945	24	0.394	10	1.016	25.8	0.827	21	2.848	72.35	20



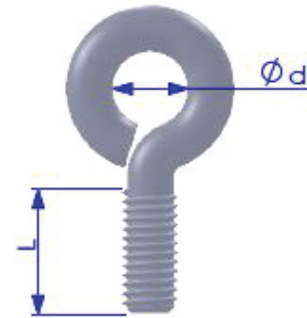
MASKING PLUGS

MMS

STEEL EYE BOLTS AND SCREW MMS SERIES

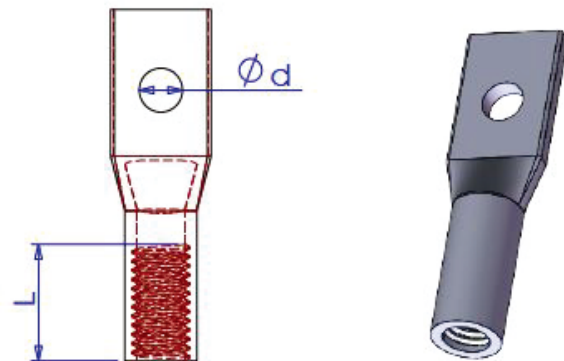
STEEL EYE BOLTS ZINC PLATED

PART No.	COLOR	DIMENSIONS			
		d		L (Threaded)	
		INCHES	MM	INCHES	MM
MMS 03		0.197	5	0.394	10
MMS 04		0.236	6	0.394	10
MMS 05		0.315	8	0.394	10
MMS 06		0.394	10	0.394	10
MMS 08		0.472	12	0.591	15
MMS 10		0.551	14	0.787	20
MMS 12		0.630	16	0.787	20



STEEL SCREW CAPS ZINC PLATED

PART No.	COLOR	DIMENSIONS			
		d		L (Threaded)	
		INCHES	MM	INCHES	MM
MMT 03		0.118	3	0.197	5
MMT 04		0.118	3	0.315	8
MMT 05		0.157	4	0.512	13
MMT 06		0.197	5	0.591	15
MMT 08		0.236	6	0.591	15
MMT 10		0.315	8	0.787	20
MMT 12		0.394	10	0.984	25
MMT 14		0.472	12	0.984	25
MMT 16		0.551	14	0.984	25
MMT 18		0.630	16	0.984	25
MMT 20		0.709	18	0.984	25
MMT 24		0.787	20	0.984	25



MSTUBE MASKING SILICONE TUBING

MASKING SILICONE TUBING MSTUBE SERIES

Silicone Tubing is perfect for covering MSTUBEuds and pins when extended lengths are needed. This tubing is highly adaptable and can conform to irregular shapes. It offers excellent durability, with MSTUBEanding temperatures up to 315°C/600°F.

Material: Silicone
Colour: Transparent

Temperature resiMSTUBEant up to 315 °C (600°F)
Reusable and chemical resiMSTUBEant
Material: Silicone /EPDM /Neoprene Rubber
Color: See chart for colour coding

PART No.	COLOR	DIMENSIONS						PACK QUANTITY/ BAG
		ID		OD		L		
		INCHES	MM	INCHES	MM	ft	m	
MSTUBE-0187	Clear	0.187	4.75	0.312	7.92	100.00	30.48	
MSTUBE-0203	Clear	0.203	5.16	0.328	8.33	100.00	30.48	
MSTUBE-0218	Clear	0.218	5.54	0.343	8.71	100.00	30.48	
MSTUBE-0234	Clear	0.234	5.94	0.359	9.12	100.00	30.48	
MSTUBE-0250	Clear	0.250	6.35	0.375	9.53	100.00	30.48	
MSTUBE-0281	Clear	0.281	7.14	0.406	10.31	50.00	15.24	
MSTUBE-0312	Clear	0.312	7.92	0.437	11.10	50.00	15.24	
MSTUBE-0343	Clear	0.343	8.71	0.468	11.89	50.00	15.24	
MSTUBE-0375	Clear	0.375	9.53	0.500	12.70	50.00	15.24	
MSTUBE-0406	Clear	0.406	10.31	0.531	13.49	50.00	15.24	
MSTUBE-0437	Clear	0.437	11.10	0.562	14.27	50.00	15.24	
MSTUBE-0500	Clear	0.500	12.70	0.625	15.88	50.00	15.24	
MSTUBE-0625	Clear	0.625	15.88	0.750	19.05	50.00	15.24	
MSTUBE-0750	Clear	0.750	19.05	0.875	22.23	50.00	15.24	
MSTUBE-0875	Clear	0.875	22.23	1.000	25.40	50.00	15.24	
MSTUBE-0937	Clear	0.937	23.80	1.062	26.97	50.00	15.24	
MSTUBE-1000	Clear	1.000	25.40	1.125	28.58	50.00	15.24	
MSTUBE-1250	Clear	1.250	31.75	1.375	34.93	25.00	7.62	
MSTUBE-1500	Clear	1.500	38.10	1.625	41.28	25.00	7.62	
MSTUBE-1875	Clear	1.875	47.63	2.000	50.80	25.00	7.62	
MSTUBE-2000	Clear	2.000	50.80	2.125	53.98	25.00	7.62	



MASKING SILICONE TUBING

STAR

MASKING STARAR SILICONE TUBING STAR SERIES

Our STARar Silicone Tubing is an excellent choice for covering STARuds, pins, and similar components when you need minimal surface contact, unlike our SLT Tubing Series. This tubing is well-suited for non-fractional or metric diameters and offers robuSTAR durability, withSTARanding temperatures of up to 315°C/600°F.

Material: Silicone

Colour: Refer to the provided colour chart.

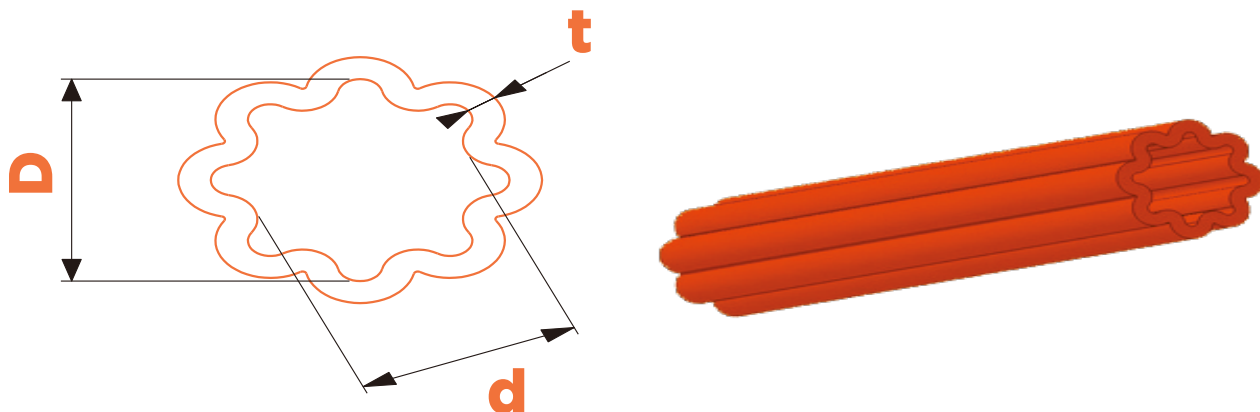
Temperature resiSTARant up to 315 °C (600°F)

Reusable and chemical resiSTARant

Material: Silicone /EPDM /Neoprene Rubber

Color: See chart for colour coding

PART No.	COLOR	DIMENSIONS								PACK QUANTITY/ BAG
		d		D		t		L		
		INCHES	MM	INCHES	MM	INCHES	MM	ft	m	
STAR-0110-0209	RED	0.110	2.80	0.209	5.30	0.060	1.52	100.00	30.48	
STAR-0189-0287	YELLOW	0.189	4.80	0.287	7.30	0.060	1.52	100.00	30.48	
STAR-0200-0250	WHITE	0.200	5.08	0.250	6.35	0.060	1.52	100.00	30.48	
STAR-0256-0374	CLEAR	0.256	6.50	0.374	9.50	0.060	1.52	100.00	30.48	
STAR-0300-0375	RUSTARY	0.300	7.62	0.375	9.53	0.060	1.52	100.00	30.48	
STAR-0335-0453	BLUE	0.335	8.50	0.453	11.50	0.060	1.52	100.00	30.48	
STAR-0400-0500	YELLOW	0.400	10.16	0.500	12.70	0.060	1.52	100.00	30.48	
STAR-0421-0551	GREEN	0.421	10.70	0.551	14.00	0.060	1.52	100.00	30.48	
STAR-0492-0709	RED	0.492	12.50	0.709	18.00	0.060	1.52	100.00	30.48	
STAR-0500-0625	PURPLE	0.500	12.70	0.625	15.88	0.060	1.52	100.00	30.48	
STAR-0625-0750	RUSTARY	0.625	15.88	0.750	19.05	0.060	1.52	50.00	15.24	
STAR-0725-0875	BLUE	0.725	18.42	0.875	22.23	0.060	1.52	50.00	15.24	
STAR-0850-1000	WHITE	0.850	21.59	1.000	25.40	0.060	1.52	50.00	15.24	
STAR-1000-1250	CLEAR	1.000	25.40	1.250	31.75	0.060	1.52	25.00	7.62	
STAR-1250-1500	PURPLE	1.250	31.75	1.500	38.10	0.060	1.52	25.00	7.62	
STAR-1500-1750	RUSTARY	1.500	38.10	1.750	44.45	0.060	1.52	25.00	7.62	
STAR-1750-2000	ORANGE	1.750	44.45	2.000	50.80	0.060	1.52	25.00	7.62	



S-FOAM MASKING FOAM CORD

FLEXIBLE SILICONE FOAM CORD S-FOAM SERIES

Foam Cord is highly compressible, making it a practical choice for sealing grooves and through holes. It excels at filling irregularly shaped holes and comprises closed-cell foam that does not absorb liquids. The cord should be 5-10% larger than the hole or groove intended to mask to ensure a proper seal.

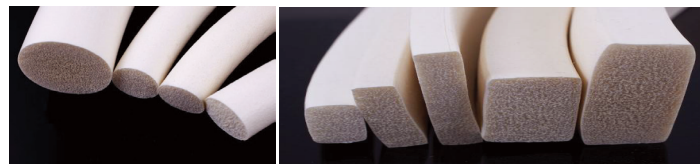
Specifications/Tolerance: 25-40 SHORE, with a +/- 7.5 SHORE A tolerance.

Colour: Red (Also offered in White).

Temperature resistant up to 315 °C (600°F)
Reusable and chemical resistant
Material: Silicone /EPDM /Neoprene Rubber
Color: See chart for colour coding

PART No.	COLOR	DIMENSIONS			
		D		L	
		INCHES	MM	INCHES	MM
S-FOAM-0093	Clear	0.093	2.36	100	30.5
S-FOAM-0125	Clear	0.125	3.18	50	15.2
S-FOAM-0156	Clear	0.156	3.96	50	15.2
S-FOAM-0187	Clear	0.187	4.75	50	15.2
S-FOAM-0250	Clear	0.250	6.35	50	15.2
S-FOAM-0275	Clear	0.275	6.99	50	15.2
S-FOAM-0312	Clear	0.312	7.92	50	15.2
S-FOAM-0375	Clear	0.375	9.53	50	15.2
S-FOAM-0437	Clear	0.437	11.10	50	15.2
S-FOAM-0465	Clear	0.465	11.81	25	7.6
S-FOAM-0500	Clear	0.500	12.70	25	7.6
S-FOAM-0562	Clear	0.562	14.27	25	7.6
S-FOAM-0625	Clear	0.625	15.88	25	7.6
S-FOAM-0687	Clear	0.687	17.45	25	7.6
S-FOAM-0750	Clear	0.750	19.05	25	7.6
S-FOAM-0813	Clear	0.813	20.65	25	7.6
S-FOAM-0875	Clear	0.875	22.23	25	7.6
S-FOAM-0937	Clear	0.937	23.80	25	7.6
S-FOAM-1000	Clear	1.000	25.40	25	7.6
S-FOAM-1250	Clear	1.250	31.75	25	7.6
S-FOAM-1500	Clear	1.500	38.10	25	7.6
S-FOAM-1750	Clear	1.750	44.45	25	7.6
S-FOAM-2000	Clear	2.000	50.80	25	7.6

PART No.	COLOR	DIMENSIONS			
		LxW		L	
		INCHES	MM	ft	m
S-FOAM-10x10	Clear	0.408x0.408	10x10	82.021	25.0
S-FOAM-12x12	Clear	0.490x0.490	12x12	82.021	25.0
S-FOAM-20x20	Clear	0.816x0.816	20x20	82.021	25.0

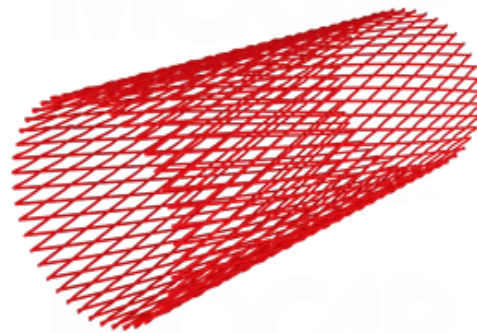


PROTECTIVE MESH NET SERIES

Our flexible plastic sleeve mesh is designed to provide the necessary protection for your products. It effectively safeguards items against undesirable scratches, ultimately helping you save on expenses related to repainting and relabeling surface areas. Our range includes various types of sleeve mesh suitable for different applications. Additionally, we offer this plastic mesh in flat sheet form as well. For more details, please reach out to our sales team.

Temperature resistant up to 315 °C (600°F)
Reusable and chemical resistant
Material: Silicone /EPDM /Neoprene Rubber
Color: See chart for colour coding

PART No.	COLOR	DIMENSIONS			
		Diameter mm	Girth mm	Suitable for Ø in mm	Suitable for Ø in mm
NET-7-12	WHITE	7.65	24	7 - 12	25
NET-12-25	BLUE	12.70	40	12 - 25	25
NET-25-45	RED	25.50	80	25 - 45	25
NET-45-70	WHITE	45.90	144	45 - 70	25
NET-70-120	BLUE	70.00	229	70 - 120	25



G-TAPE

MASKING TAPES

GREEN POLYESTER TAPE G-TAPE SERIES

Our most popular masking tape for powder coating and e-coating applications.

Industry standard for general coating applications and it removes cleanly with no residue.

Film Backing Thickness: 2 mils

Adhesive Thickness: 1.2 mils

Roll Length: 66M (72 yards)

Maximum Temperature: 200°C (392°F)

PART NUMBER	TAPE WIDTH		YARDS/ ROLL
	INCHES	MM	
GTape 1/4	0.250	6.350	72
GTape 3/8	0.375	9.525	72
GTape 1/2	0.500	12.700	72
GTape 5/8	0.625	15.875	72
GTape 3/4	0.750	19.050	72
GTape 1	1.000	25.400	72
GTape 1-1/4	1.250	31.750	72
GTape 1-1/2	1.500	38.100	72
GTape 2	2.000	50.800	72
GTape 2-1/2	2.500	63.500	72
GTape 3	3.000	76.200	72
GTape 4	4.000	101.600	72
GTape 5	5.000	127.000	72
GTape 6	6.000	152.400	72



MASKING TAPES

B-TAPE

BLUE POLYESTER TAPE

B-TAPE SERIES

Our highly sought-after 1.1 Mil. masking tape in Blue Polyester is designed for powder coating and e-coating applications. It sets the industry standard for general coating tasks and boasts an unmatched reputation for clean and residue-free removal, making it the top choice in the market for quality.

Film Backing Thickness: 1.1 mil
Adhesive Thickness: 1 mil
Roll Length: 66M (72 yards)
Maximum Temperature: 200°C (392°F)

PART NUMBER	TAPE WIDTH		YARDS/ ROLL
	INCHES	MM	
Btape 1/4	0.250	6.350	72
Btape 3/8	0.375	9.525	72
Btape 1/2	0.500	12.700	72
Btape 5/8	0.625	15.875	72
Btape 3/4	0.750	19.050	72
Btape 1	1.000	25.400	72
Btape 1-1/4	1.250	31.750	72
Btape 1-1/2	1.500	38.100	72
Btape 2	2.000	50.800	72
Btape 2-1/2	2.500	63.500	72
Btape 3	3.000	76.200	72
Btape 4	4.000	101.600	72
Btape 5	5.000	127.000	72
Btape 6	6.000	152.400	72



Our highly sought-after 1 Mil. masking tape in Amber Polyimide is designed for powder coating and e-coating applications. It sets the industry standard for general coating tasks and boasts an unmatched reputation for clean and residue-free removal, making it the top choice in the market for quality.

Film Backing Thickness: 1 mil
Adhesive Thickness: 1.4 mil
Roll Length: 33M (36 yards)
Maximum Temperature: 260°C (500°F)

PART NUMBER	TAPE WIDTH		YARDS/ ROLL
	INCHES	MM	
Atape 1/4	0.250	6.350	36
Atape 3/8	0.375	9.525	36
Atape 1/2	0.500	12.700	36
Atape 5/8	0.625	15.875	36
Atape 3/4	0.750	19.050	36
Atape 1	1.000	25.400	36
Atape 1-1/4	1.250	31.750	36
Atape 1-1/2	1.500	38.100	36
Atape 2	2.000	50.800	36
Atape 2-1/2	2.500	63.500	36
Atape 3	3.000	76.200	36
Atape 4	4.000	101.600	36
Atape 5	5.000	127.000	36
Atape 6	6.000	152.400	36



MASKING TAPES

W-TAPE

GLASS CLOTH TAPE WTAPE SERIES

This product features a white glass cloth backing with a single silicone pressure-sensitive adhesive layer on one side 5 Mil. It is a highly flexible masking tape suitable for powder and other high-temperature coating operations. Additionally, it offers robust insulation capabilities, making it an ideal choice for covering electric motors, transformers, and lithium batteries with high-strength protection.

Film Backing Thickness: 5 mil

Adhesive Thickness: 2 mil

Roll Length: 30M (32 yards)

Maximum Temperature: 200°C (392°F)

PART NUMBER	TAPE WIDTH		YARDS/ ROLL
	INCHES	MM	
Wtape 1/4	0.250	6.350	32
Wtape 3/8	0.375	9.525	32
Wtape 1/2	0.500	12.700	32
Wtape 5/8	0.625	15.875	32
Wtape 3/4	0.750	19.050	32
Wtape 1	1.000	25.400	32
Wtape 1-1/4	1.250	31.750	32
Wtape 1-1/2	1.500	38.100	32
Wtape 2	2.000	50.800	32
Wtape 2-1/2	2.500	63.500	32
Wtape 3	3.000	76.200	32
Wtape 4	4.000	101.600	32
Wtape 5	5.000	127.000	32
Wtape 6	6.000	152.400	32



HI-TEMP CREPE TAPE C - TAPE SERIES

Our widely acclaimed 7 Mil. Masking Crepe Tape is tailored for precision spray painting applications. It establishes the industry benchmark for general coating needs. It has garnered a renowned reputation for its clean, residue-free removal, solidifying its position as the premium choice for superior quality in the

Total Tape Thickness: 7 mil
Roll Length: 55M (60 yards)
Maximum Temperature: 160°C (320°F)

PART NUMBER	TAPE WIDTH		YARDS/ ROLL
	INCHES	MM	
Ctape 1/4	0.250	6.350	60
Ctape 3/8	0.375	9.525	60
Ctape 1/2	0.500	12.700	60
Ctape 5/8	0.625	15.875	60
Ctape 3/4	0.750	19.050	60
Ctape 1	1.000	25.400	60
Ctape 1-1/4	1.250	31.750	60
Ctape 1-1/2	1.500	38.100	60
Ctape 2	2.000	50.800	60
Ctape 2-1/2	2.500	63.500	60
Ctape 3	3.000	76.200	60
Ctape 4	4.000	101.600	60
Ctape 5	5.000	127.000	60
Ctape 6	6.000	152.400	60



MASKING TAPES

D-TAPE

MASKING DISC

MASKING DISC

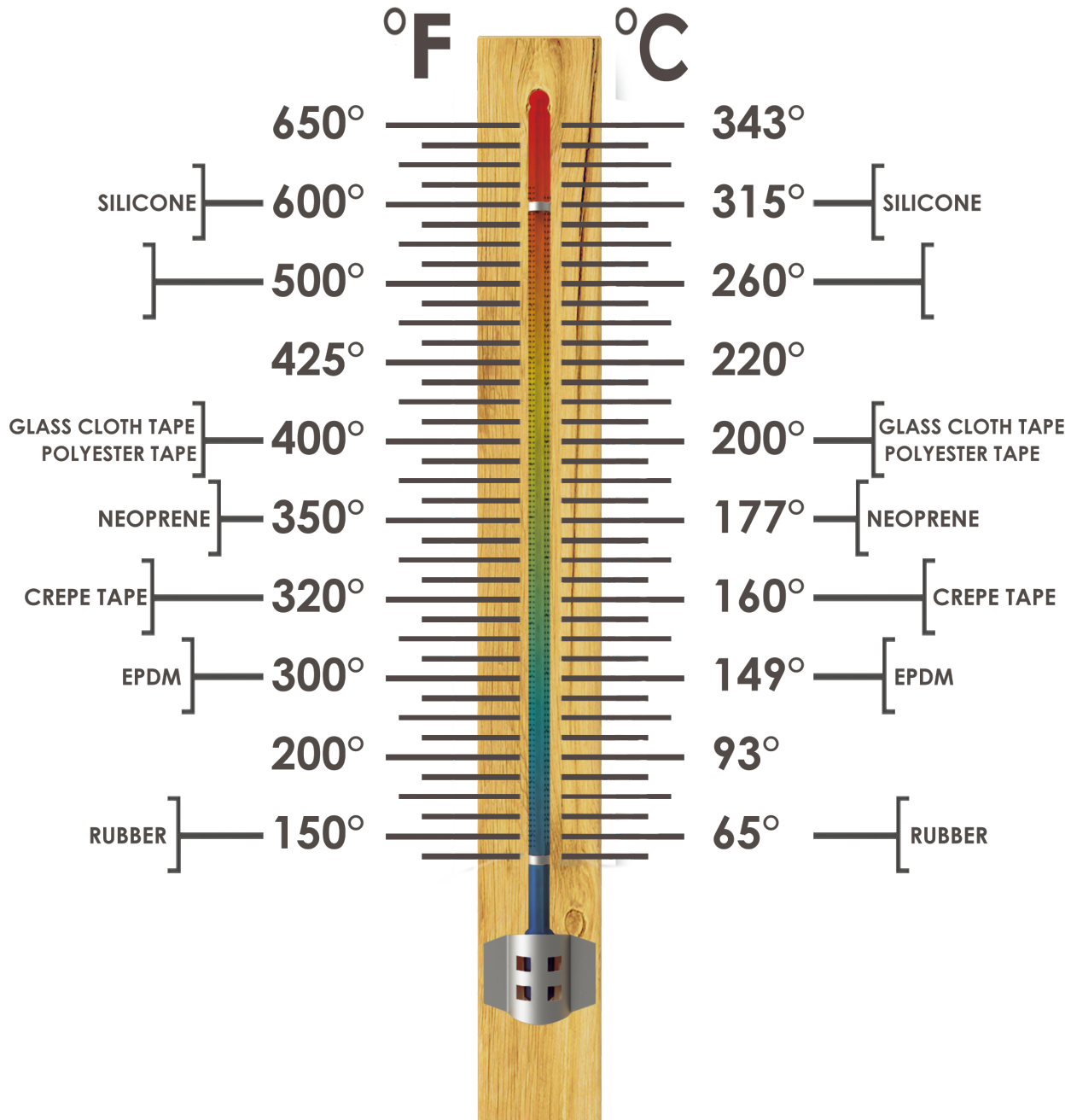
Our die-cut two-mil thick green polyester discs with a 1.5-mil thick adhesive are conveniently provided on a lined roll. They are heat-resistant, capable of withstanding baking temperatures of up to 204°C (400°F). These polyester discs are designed for high-temperature powder coating applications and are available in various diameters, ensuring prompt delivery. We can custom-cut these masking dots for powder coating in either inches or metric sizes to meet your specific diameter requirements.
Colour: Green

Film Backing Thickness: 5 mil
Adhesive Thickness: 2 mil
Roll Length: 30M (32 yards)
Maximum Temperature: 200°C (392°F)

PART NUMBER	TAPE					DISC DIAMETER		YARDS/ROLL
	GREEN POLYESTER	BLUE POLYESTER	AMBER KAPTON	GLASS CLOTH	HI TEMP CREPE	INCHES	MM	
	GDISC 1/4	BDISC 1/4	ADISC 1/4	WDISC 1/4	CDISC 1/4	0.250	6.350	
GDISC 3/8	BDISC 3/8	ADISC 3/8	WDISC 3/8	CDISC 3/8	0.375	9.525	2000	
GDISC 1/2	BDISC 1/2	ADISC 1/2	WDISC 1/2	CDISC 1/2	0.500	12.700	2000	
GDISC 5/8	BDISC 5/8	ADISC 5/8	WDISC 5/8	CDISC 5/8	0.625	15.875	2000	
GDISC 3/4	BDISC 3/4	ADISC 3/4	WDISC 3/4	CDISC 3/4	0.750	19.050	1000	
GDISC 1	BDISC 1	ADISC 1	WDISC 1	CDISC 1	1.000	25.400	500	
GDISC 1-1/4	BDISC 1-1/4	ADISC 1-1/4	WDISC 1-1/4	CDISC 1-1/4	1.250	31.750	500	
GDISC 1-1/2	BDISC 1-1/2	ADISC 1-1/2	WDISC 1-1/2	CDISC 1-1/2	1.500	38.100	500	
GDISC 2	BDISC 2	ADISC 2	WDISC 2	CDISC 2	2.000	50.800	100	
GDISC 2-1/2	BDISC 2-1/2	ADISC 2-1/2	WDISC 2-1/2	CDISC 2-1/2	2.500	63.500	100	
GDISC 3	BDISC 3	ADISC 3	WDISC 3	CDISC 3	3.000	76.200	100	
GDISC 3-1/2	BDISC 3-1/2	ADISC 3-1/2	WDISC 3-1/2	CDISC 3-1/2	3.500	88.900	100	
GDISC 4	BDISC 4	ADISC 4	WDISC 4	CDISC 4	4.000	101.600	100	



MASKING MATERIAL OPTIONS



MATERIAL APPLICATION GUILD

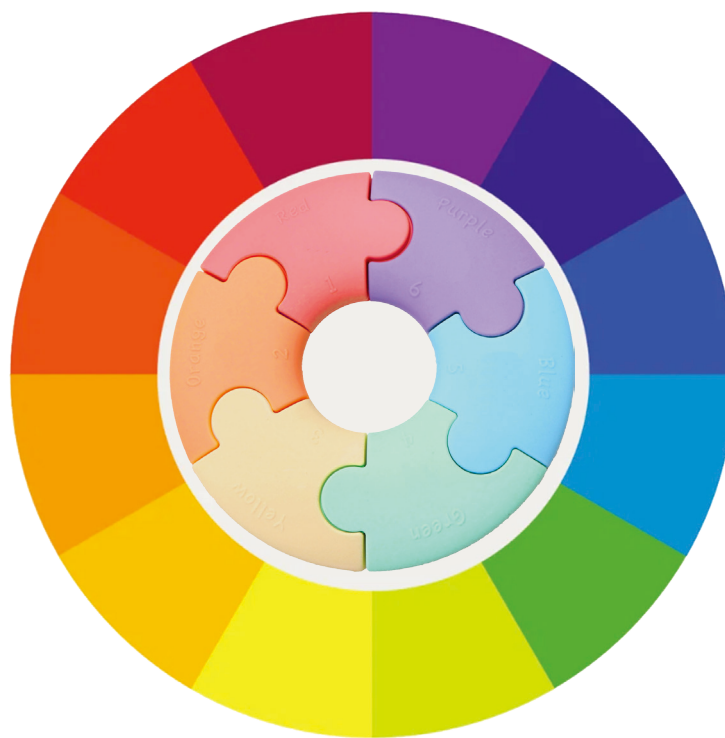
MATERIAL	APPLICATIONS						
	POWER COATING	E-COATING	PLATING	ANODIZING	INSULATING	PAINT MASKING	WELD SPLATTER
SILICONE	✓	✓	✓	✓	✓	✓	✓
NEOPRENE					✓	✓	
VITON	✓	✓	✓	✓		✓	✓
EPDM					✓		
RUBBER					✓	✓	
GREEN POLYESTER TAPE	✓	✓		✓			
BLUE POLYESTER TAPE	✓	✓		✓		✓	
GLASS CLOTH TAPE	✓						
AMBER POLYIMIDE TAPE	✓				✓	✓	
HI-TEMP CREPE TAPE							

Data is for reference purposes only for most common applications.
Please contact PRO MASKING. for further material to application matching.

**MATERIAL MATCHING INQUIRIES,
CONTACT CUSTOMER SERVICE.**

CALL US: (437) 523 6428

**PRODUCT LINE REQUIRES
COLOUR MATCHING?
PRO-MASKING COMPONENTS,
CAN MATCH ANY COLOUR.**



CUSTOM SOLUTIONS START TO FINISH

**IDEAS & CONCEPTS
TO
DESIGN & PROTOTYPING
TO
TOOLING & FULL PRODUCTION**

Applications requiring custom solutions,
refer to custom@promasking.com

Quotations

If the Seller provides the Buyer with a quote for one or more Products, the quote is valid for 30 days from its issuance unless the Seller expressly states otherwise. However, it is imperative to note that the quote becomes binding once the Seller accepts an order following the condition.

All orders placed by the Buyer, whether through the Seller's Website or other means, are considered an offer by the Buyer to purchase the specified Products under the terms and conditions outlined herein. Each order must specify the quantity and type of Products requested. The Seller's acceptance of an order, and thus the establishment of a binding agreement, occurs at the earliest of the following events:

- Upon the Seller dispatching a Notice of Acceptance to the Buyer, and
- Upon the Seller dispatching the Products to the Buyer. However, acceptance will only occur if the Seller has accurately quoted or mis-referenced the Price of the Products for the given order.
- applies exclusively if the Buyer is classified as a professional client.

Once an order has been officially accepted, the Buyer can cancel, modify, or suspend it by obtaining express written consent from the Seller.

As a consumer, you possess the legal right to cancel the Contract within 45 days of issuing the order, known as the "withdrawal period." This right allows you to cancel the Contract and receive a refund if you change your mind or decide not to keep a Product during this period (restocking fees will be applied; a product needs to be in the proper package and good condition). However, please be aware that this right of cancellation does not extend to custom or personalized products or products made to your specifications.

Price

- The Price of the Products will be as stated in the quotation, or if no quotation is provided, the Price listed in the Catalog at the time the order is accepted (referred to as the "Price"). The Price includes standard packaging as per the Seller's standard practice. However, if the Buyer requests any changes to the limitations on liability outlined in these Conditions, the Seller will notify the Buyer of any additional costs that may apply.
- The Seller will make reasonable efforts to ensure accurate prices are stated in the quotations and the Catalog. Nevertheless, the Seller reserves the right to increase the Price before accepting an order to reflect any increase in costs incurred due to factors such as those listed in this condition. Any changes to Prices will be communicated to the Buyer before the order is accepted.

Condition 1

- Applies exclusively to professional clients. Unless otherwise specified in the Acceptance Notice, the Price will be in Canadian or USD currency. It will not include taxes, duties, or additional expenses such as non-standard packaging, transportation, or insurance, which the Buyer must

pay separately. In cases where the Seller covers transportation or other costs on behalf of the Buyer, the Seller reserves the right to invoice these expenses immediately.

Condition 2

- Applies only to consumers. Unless otherwise stated in the Acceptance Notice, the Price is in Canadian or USD dollars and excludes taxes or duties. Therefore, it will be added to the Price, payable by the Buyer at the applicable rate at the time of payment. Additional costs like non-standard packaging, transportation, or insurance, if appropriate, will also be borne by the Buyer and specified before order acceptance. The Seller retains the right to invoice transportation or other expenses incurred on behalf of the Buyer.

Payments

- The Seller reserves the discretion to issue an invoice to the Buyer in advance for the Price or any other amounts. If the Buyer opts for prepayment, the Seller may withhold Product delivery until payment is received.
- Unless specified otherwise in the Acceptance Notice, the Buyer must settle the Seller's Invoice Payment within 30 calendar days from the invoice date, regardless of whether Product delivery has occurred. Unless expressly agreed otherwise, payment should be made in the same currency as the Price. Timely payment is crucial, and funds must be received in cash or readily available funds to be considered received by the Seller.
- Payment methods accepted include credit or debit card (Visa and MasterCard), bank transfer to the Seller's designated account, or a euro-denominated bank check payable at a Spanish bank.
- Should the Buyer seek credit with the Seller, they must furnish all requested information and references, subject to the Seller's discretion to investigate with credit reference agencies. The Seller retains the right to approve, reject, suspend, or alter credit limits at their discretion.
- If payment is delayed, interest will accrue on the outstanding amount at the rate determined by the Ministry of Economy, which applies to professional clients.
- Failure to adhere to payment terms grants the Seller various rights including, but not limited to, terminating the Contract, deducting outstanding amounts from sums owed to the Buyer, charging for storage costs, suspending further deliveries, reselling undelivered Products, or retaining paid amounts as security.

Delivery

- By default, the sale of Products operates under “Ex Works” terms, meaning shipping arrangements in which the Seller is only required to deliver goods at a predetermined location, and the Buyer bears responsibility for shipping costs. (transport, insurance, customs, etc.) and risks of damage or loss of the Products are the Buyer’s responsibility.
- This involves depositing the Products at the Seller’s premises and notifying the Buyer or their appointed carrier through direct communication or other means. If notification is not through written means, the Seller presumes notification after 15 calendar days from the estimated delivery date without the Buyer or their carrier retrieving the Products.
- The Seller needs to commit to firm delivery dates. Any delivery dates provided are estimates made in good faith to facilitate the commercial relationship. Efforts will be made to deliver within 30 calendar days.
- While the Seller endeavours to meet specified delivery dates, they are not liable for any expenses, losses, or damages resulting from delivery delays.
- The Seller notifies the Buyer when Products are ready for collection. The Buyer must collect the Products promptly upon notification. Failure to collect within 30 calendar days allows the Seller to terminate the Contract, dispose of the Products, and seek damages. Storage costs become the Buyer’s responsibility.
- The Seller may choose to deliver an order in one or multiple shipments, and no recourse is available for claims based on this.
- Early delivery of Products is possible.
- The Seller is not liable for delivery delays and may deliver up to 10% more or less than the ordered quantity, which the Buyer must accept and pay for accordingly. The Seller’s recorded quantity upon departure is conclusive proof unless the Buyer provides compelling evidence otherwise.
- The Seller is only liable for losses due to delivery failure if the Buyer notifies them in writing within ten business days of the estimated delivery or actual delivery date, by condition 12. If established, liability is limited to the replacement cost of undelivered Products or the applicable Price.
- If the Buyer fails to take delivery or provide instructions by the stated time, the Seller may store the Products at the Buyer’s expense or sell them after a specified period, compensating the Buyer for any price difference.
- Each delivery installment constitutes a separate obligation, and failure in one doesn’t invalidate the entire Contract.
- If the Buyer orders incorrectly and wishes to return Products, they must pay the Seller’s standard handling and restocking charge if agreed upon by the Seller, assuming all associated risks.

Product Quality

The Seller assures that, upon delivery, all Products will meet satisfactory quality standards. A Product is deemed of sufficient quality if:

- In the case of a sale by Sample, it aligns with the Sample in all crucial aspects (with allowances for any specified tolerances or variations reflected in Specifications or guidance notes provided by the Seller regarding the Sample, as confirmed applicable to the Contract); or 33-In all other instances, it complies with its Specifications in all crucial aspects.

The warranty in condition applies only if:

- The Buyer notifies the Seller in writing of any defects apparent upon inspection within 30 days of Product delivery, detailing the breach of warranty; or non-apparent defects, the Buyer notifies the Seller within 14 days of discovery, and in any case, within 6 months of Product delivery. Upon notification, the Seller must be given a reasonable opportunity to inspect the Products and, upon request (reasonably made), the Products must be returned to the Seller's business address (at Buyer's risk) for inspection; and the Buyer has paid the total Product price.

The Seller is not liable for warranty breaches if:

- The Product meets its Specifications, or Sample where applicable, in all crucial aspects (with regard to Sample sales, accounting for any specified tolerances or variations in Specifications or guidance notes provided by the Seller regarding the Sample, confirmed applicable to the Contract); The breach results from Buyer's breach of these Conditions; The breach arises from actions or omissions of unauthorized persons, including repairs, additions, or modifications made by Buyer; The non-compliance arises from parts, materials, or equipment not manufactured by the Seller, in which case, Buyer's recourse is limited to warranties extended to Seller by the manufacturer, if transferable (with Buyer bearing associated costs).
- Buyer continues using or reselling Products after defect notification or fails to comply with Seller's maintenance or removal instructions; or The non-compliance results from environmental conditions, misuse, storage, or handling not in line with Specifications or Seller's instructions, or expressly excluded matters as notified by Seller in writing, including negligence, mishandling, vandalism, or unforeseen circumstances.
- The Seller's sole liability for quality-related claims and conditions applies only to consumers/ Buyers.
- The warranty in condition 11.1 and any applicable quality warranties, standards, or conditions complement the Buyer's legal rights concerning defective or misdescribed Products.
- The Buyer must follow the Seller's reasonable instructions regarding Product recalls, maintenance campaigns, or corrective actions after delivery.



Specifications, Samples, and References

- All designs, Specifications, and promotional material provided by the Seller, along with any descriptions, details, or illustrations in the Catalog, are intended solely to give the Buyer an approximate understanding of the Products described therein. Unless expressly stated otherwise in these Conditions, they do not constitute part of the Contract, and the Buyer should not rely on them exclusively.
- The Seller reserves the right to rectify any omissions, typographical errors, administrative oversights, or other inaccuracies in the Catalog, quotations, price lists, Acceptance Notices, labels, packaging, invoices, or any other documents or information provided without assuming liability towards the Buyer. Corrections may be made publicly or by notification on the Seller's Website or in writing to the Buyer, and upon such correction, it will be immediately binding on the Buyer.
- Unless mandated by law, a Contract does not automatically imply: 4.3.1 a sale by Sample, even if samples have been provided unless explicitly stated as such in the Acceptance Notice by the Seller; or 4.3.2 a sale by description, even if a description has been provided.



MEET THE PRO-MASKING CONSULTING TEAM

We aim to assist you throughout your application and manufacturing processes, providing innovative and cost-effective solutions. What you can expect from our expert consulting team:

- Identification of your needs and recommendations for cost-effective, unique solutions.
- Support in enhancing your speed and productivity while reducing costs.
- Improved quality of finished products and lowered masking expenses. We can create custom solutions tailored to your needs if standard parts don't fit your requirements.

Here are the benefits of designing and producing your custom part with Pro-Masking Components:

- Increased speed and improved product quality.
- Reduced rejection rates, leading to fewer parts used.
- We offer reusable parts, reducing costs and time.
- We provide quick turnaround times for proposal analysis.
- We can create rapid prototypes for validation.
- Our expertise extends to designing and preparing custom die-cuts for high-temperature masking.



We specialize in crafting high-quality and cost-effective masking solutions, offering various services from design and prototyping to tooling and full-scale production. Our rapid turnaround times allow us to promptly produce prototypes or die-cut samples for testing and deliver them to you with expedited shipping.

For applications requiring custom solutions,
please contact us at custom@promasking.com



Masking product line.

Our masking product line is unparalleled. We are the experts in providing solutions for your finishing masking needs, offering an extensive selection of standard and custom high-quality masking products.



Our masking products will provide you with
COST-EFFECTIVE
solutions during your process of spray painting,
powder coating, plating, e-coating and anodizing.



7085 Tomken Rd Mississauga,
ON L5S 1R7, Canada

Warehouse Hours: 7:00am - 4:00pm

www.promasking.com

Sales@promasking.com

Tel: (437) 523 6428